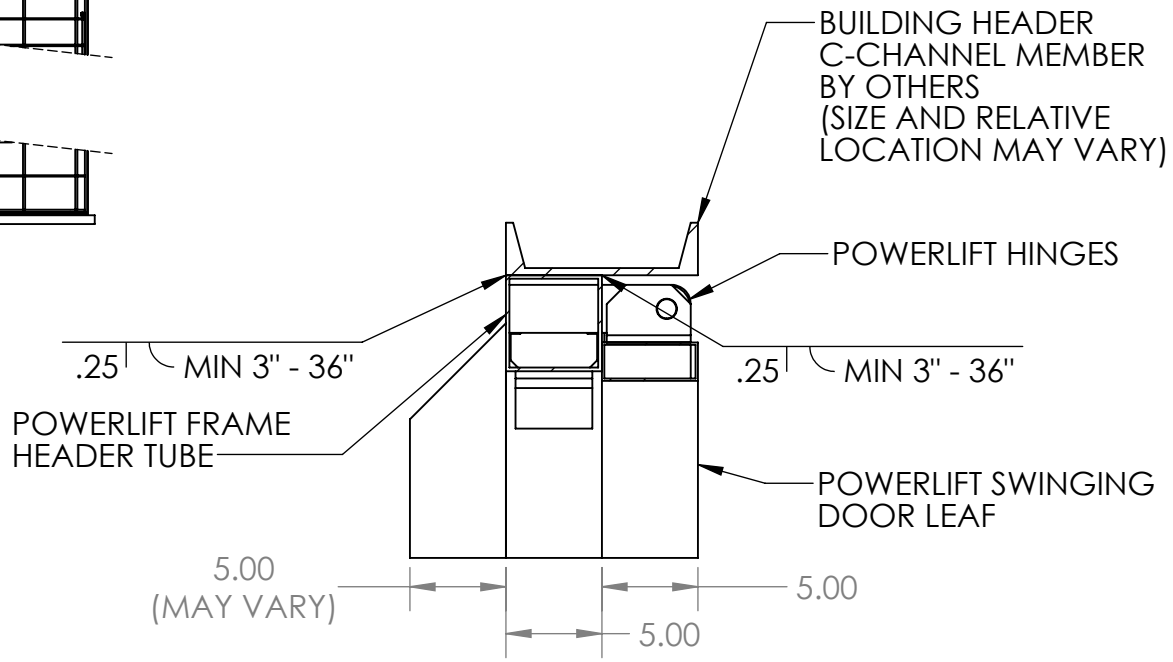
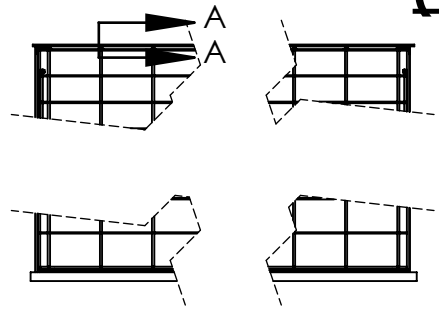


Thursday, March 25, 2021 9:13:23 AM

POWERLIFT STANDARD HEAD DETAIL (C-CHANNEL BUILDING HEAD MEMBER)

B

B



SECTION A-A
SCALE 1 : 10

A

A

PROPRIETARY AND CONFIDENTIAL

THE INFORMATION CONTAINED IN THIS DRAWING IS THE SOLE PROPERTY OF POWERLIFT DOORS. ANY REPRODUCTION IN PART OR AS A WHOLE WITHOUT THE WRITTEN PERMISSION OF POWERLIFT DOORS IS PROHIBITED.



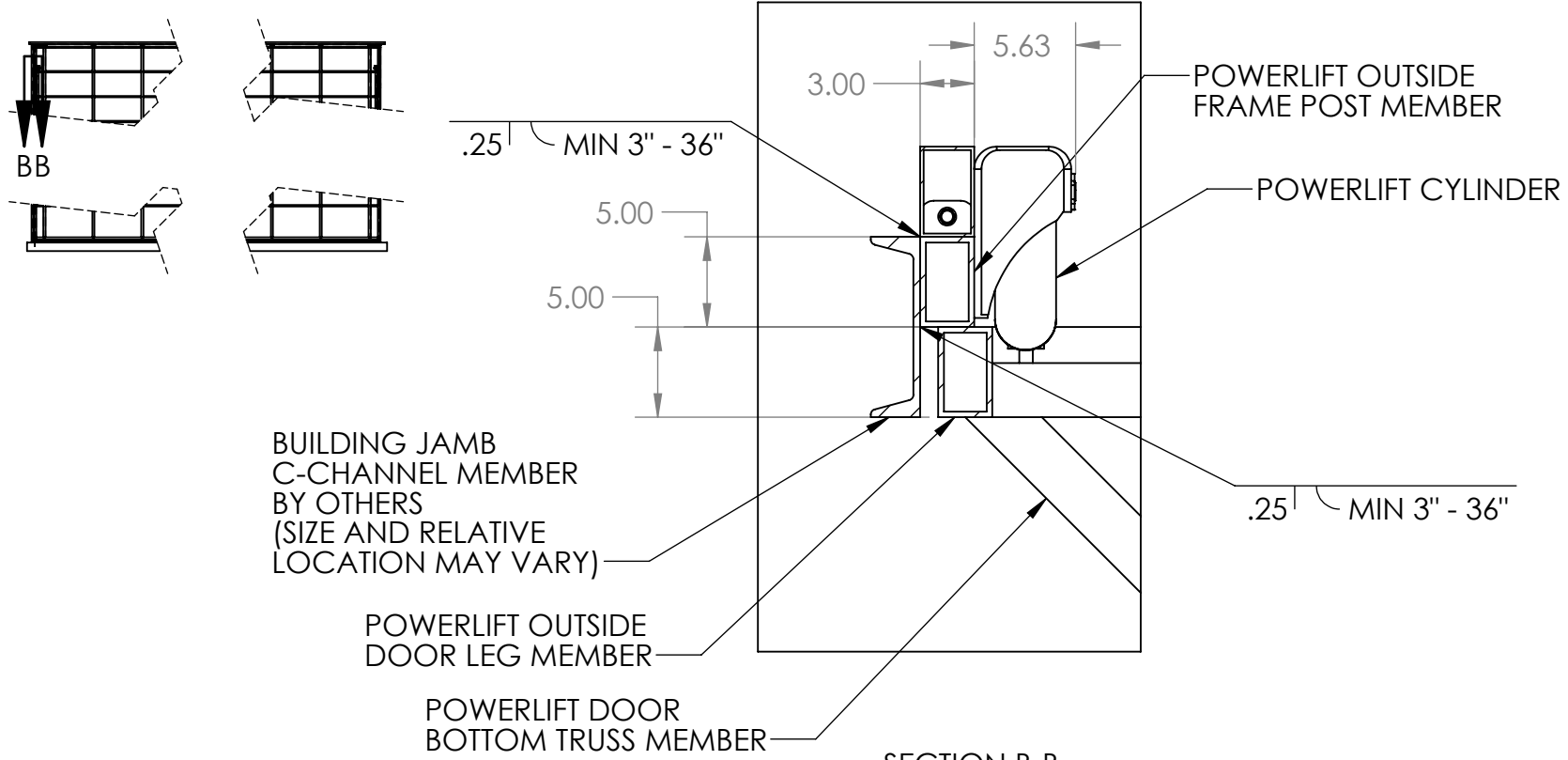
		UNLESS OTHERWISE SPECIFIED:		NAME	DATE	Part Number	N/A
		DIMENSIONS ARE IN INCHES		DRAWN		TITLE: C-Channel Jamb and Header	
		TOLERANCES:		CHECKED			
		FRACTIONAL ±		ENG APPR.			
		ANGULAR: MACH ± BEND ±		MFG APPR.			
		TWO PLACE DECIMAL ±		Q.A.			
		THREE PLACE DECIMAL ±		COMMENTS:			
		INTERPRET GEOMETRIC TOLERANCING PER: ASME Y14. 5-2009				SIZE	Door Type(s)
		MATERIAL				A	Standard
		FINISH					REV
							A
		APPLICATION				SCALE: 1:25	WEIGHT:
							SHEET 1 OF 3
		DO NOT SCALE DRAWING					

Thursday, March 25, 2021 9:13:23 AM

POWERLIFT STANDARD JAMB DETAIL (C-CHANNEL BUILDING JAMB MEMBER)

B

B



SECTION B-B
SCALE 1 : 10

PROPRIETARY AND CONFIDENTIAL

THE INFORMATION CONTAINED IN THIS DRAWING IS THE SOLE PROPERTY OF POWERLIFT DOORS. ANY REPRODUCTION IN PART OR AS A WHOLE WITHOUT THE WRITTEN PERMISSION OF POWERLIFT DOORS IS PROHIBITED.



		UNLESS OTHERWISE SPECIFIED:		NAME	DATE
		DIMENSIONS ARE IN INCHES	DRAWN		
		TOLERANCES:	CHECKED		
		FRACTIONAL ±	ENG APPR.		
		ANGULAR: MACH ± BEND ±	MFG APPR.		
		TWO PLACE DECIMAL ±	Q.A.		
		THREE PLACE DECIMAL ±	COMMENTS:		
		INTERPRET GEOMETRIC TOLERANCING PER: ASME Y14. 5-2009			
		MATERIAL			
		FINISH			
NEXT ASSY	USED ON				
APPLICATION		DO NOT SCALE DRAWING			

Part Number	N/A	
TITLE:	C-Channel Jamb and Header	
SIZE	Door Type(s)	REV
A	Standard	A
SCALE: 1:25	WEIGHT:	SHEET 2 OF 3

A

A

2

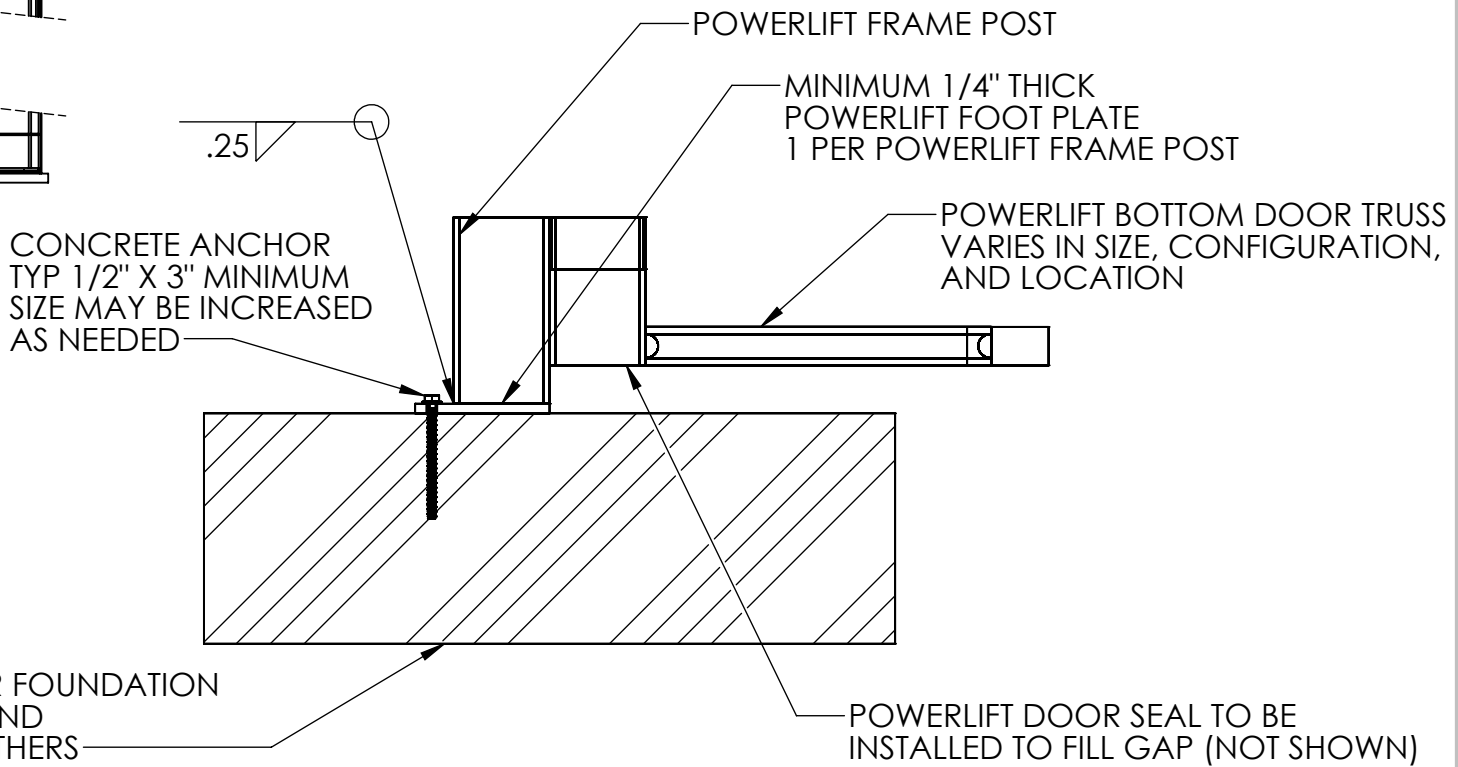
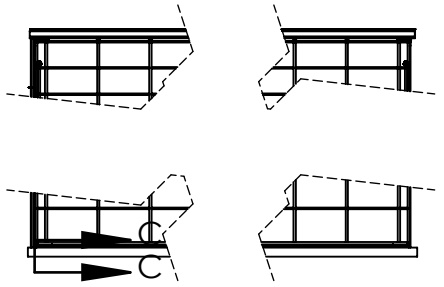
1

Thursday, March 25, 2021 9:13:23 AM

POWERLIFT STANDARD SILL DETAIL

B

B



SECTION C-C
SCALE 1 : 10

A

A

PROPRIETARY AND CONFIDENTIAL

THE INFORMATION CONTAINED IN THIS DRAWING IS THE SOLE PROPERTY OF POWERLIFT DOORS. ANY REPRODUCTION IN PART OR AS A WHOLE WITHOUT THE WRITTEN PERMISSION OF POWERLIFT DOORS IS PROHIBITED.



		UNLESS OTHERWISE SPECIFIED:		NAME	DATE
		DIMENSIONS ARE IN INCHES	DRAWN		
		TOLERANCES:	CHECKED		
		FRACTIONAL ±	ENG APPR.		
		ANGULAR: MACH ± BEND ±	MFG APPR.		
		TWO PLACE DECIMAL ±	Q.A.		
		THREE PLACE DECIMAL ±	COMMENTS:		
		INTERPRET GEOMETRIC TOLERANCING PER: ASME Y14. 5-2009			
		MATERIAL			
		FINISH			
NEXT ASSY	USED ON				
APPLICATION		DO NOT SCALE DRAWING			

Part Number	N/A	
TITLE:	C-Channel Jamb and Header	
SIZE	Door Type(s)	REV
A	Standard	A
SCALE: 1:25	WEIGHT:	SHEET 3 OF 3

2

1