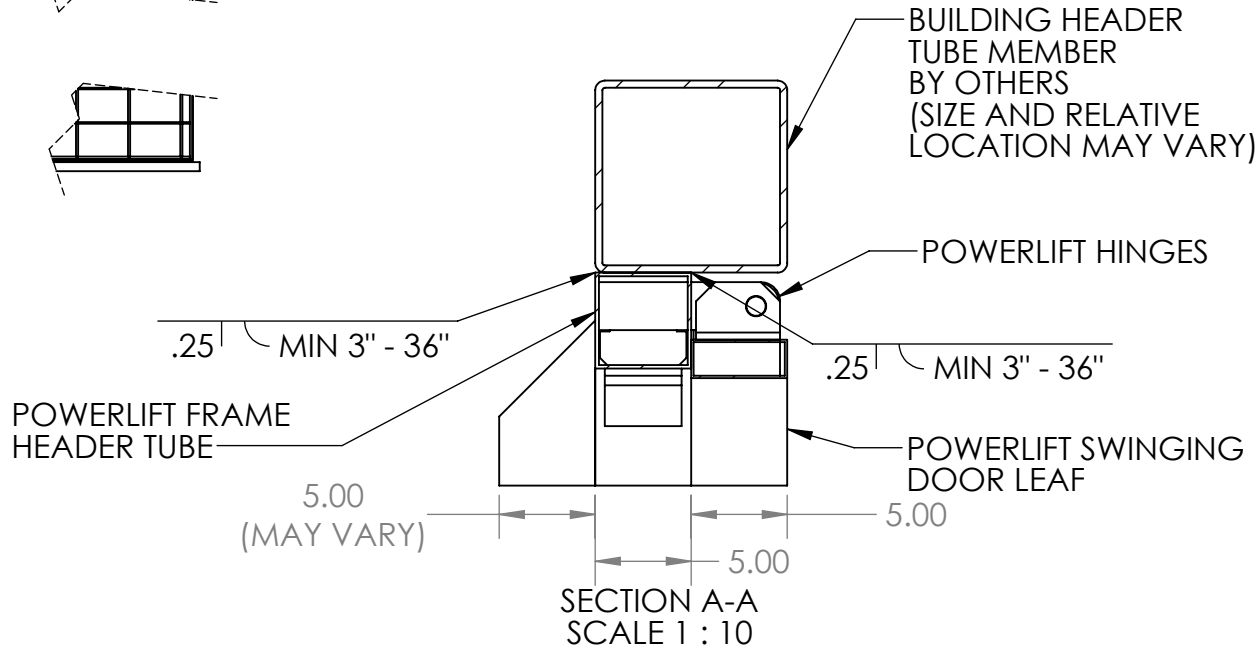
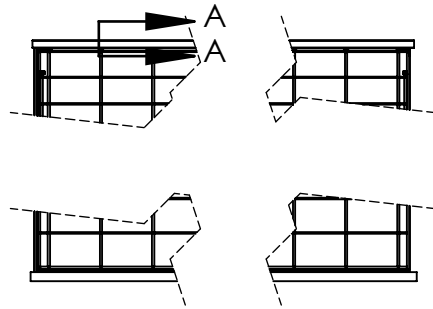


Thursday, March 25, 2021 9:32:58 AM

POWERLIFT STANDARD HEAD DETAIL (TUBE BUILDING HEAD MEMBER)

B

B



A

A

PROPRIETARY AND CONFIDENTIAL

THE INFORMATION CONTAINED IN THIS DRAWING IS THE SOLE PROPERTY OF POWERLIFT DOORS. ANY REPRODUCTION IN PART OR AS A WHOLE WITHOUT THE WRITTEN PERMISSION OF POWERLIFT DOORS IS PROHIBITED.



		UNLESS OTHERWISE SPECIFIED:	NAME	DATE
		DIMENSIONS ARE IN INCHES	DRAWN	
		TOLERANCES:	CHECKED	
		FRACTIONAL ±	ENG APPR.	
		ANGULAR: MACH ± BEND ±	MFG APPR.	
		TWO PLACE DECIMAL ±	Q.A.	
		THREE PLACE DECIMAL ±	COMMENTS:	
		INTERPRET GEOMETRIC TOLERANCING PER: ASME Y14. 5-2009		
		MATERIAL		
NEXT ASSY	USED ON	FINISH		
APPLICATION		DO NOT SCALE DRAWING		

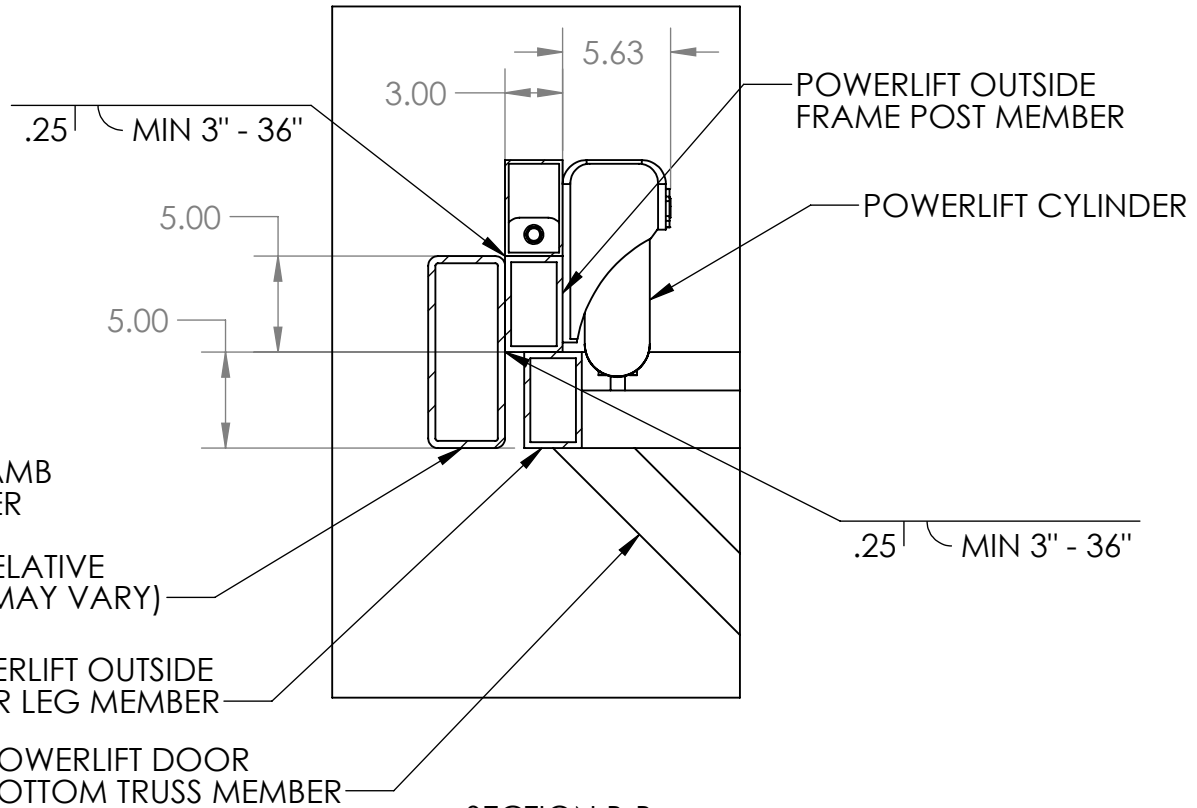
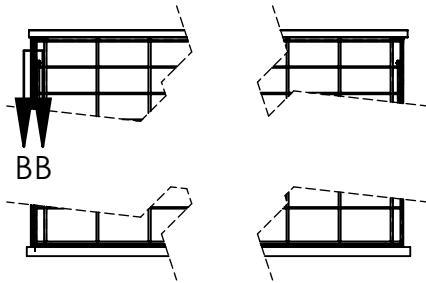
Part Number		N/A	
TITLE:			
Tube Jamb and Header			
SIZE	Door Type(s)	REV	
A	Standard	A	
SCALE: 1:25		WEIGHT:	SHEET 1 OF 3

Thursday, March 25, 2021 9:32:58 AM

POWERLIFT STANDARD JAMB DETAIL (TUBE BUILDING JAMB MEMBER)

B

B



BUILDING JAMB TUBE MEMBER BY OTHERS (SIZE AND RELATIVE LOCATION MAY VARY)

POWERLIFT OUTSIDE DOOR LEG MEMBER

POWERLIFT DOOR BOTTOM TRUSS MEMBER

SECTION B-B
SCALE 1 : 10

PROPRIETARY AND CONFIDENTIAL

THE INFORMATION CONTAINED IN THIS DRAWING IS THE SOLE PROPERTY OF POWERLIFT DOORS. ANY REPRODUCTION IN PART OR AS A WHOLE WITHOUT THE WRITTEN PERMISSION OF POWERLIFT DOORS IS PROHIBITED.



		UNLESS OTHERWISE SPECIFIED:		NAME	DATE
		DIMENSIONS ARE IN INCHES	DRAWN		
		TOLERANCES:	CHECKED		
		FRACTIONAL ±	ENG APPR.		
		ANGULAR: MACH ± BEND ±	MFG APPR.		
		TWO PLACE DECIMAL ±	Q.A.		
		THREE PLACE DECIMAL ±	COMMENTS:		
		INTERPRET GEOMETRIC TOLERANCING PER: ASME Y14. 5-2009			
		MATERIAL			
		FINISH			
NEXT ASSY	USED ON				
APPLICATION		DO NOT SCALE DRAWING			

Part Number	N/A	
TITLE:	Tube Jamb and Header	
SIZE	Door Type(s) Standard	REV A
SCALE: 1:25	WEIGHT:	SHEET 2 OF 3

A

A

2

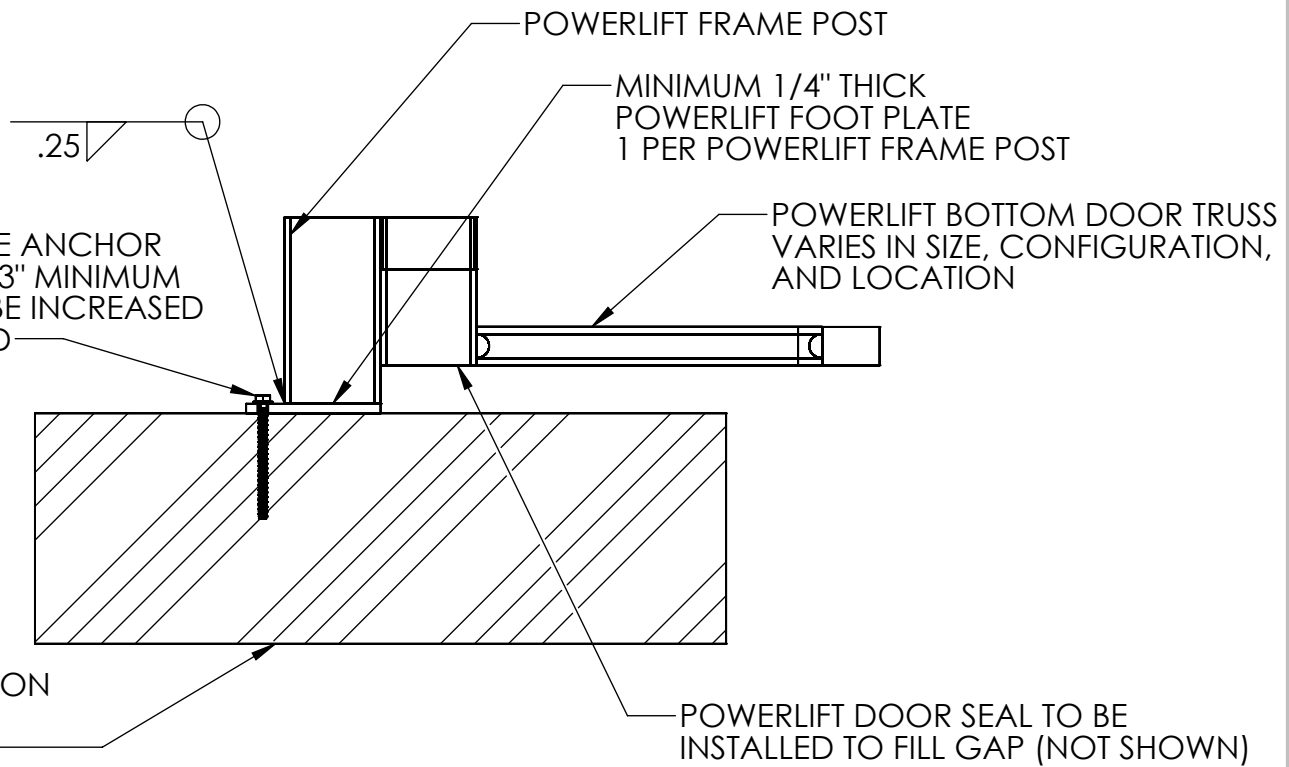
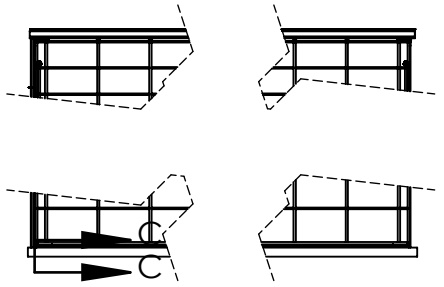
1

Thursday, March 25, 2021 9:32:58 AM

POWERLIFT STANDARD SILL DETAIL

B

B



CONCRETE/REBAR FOUNDATION TO BE SPECIFIED AND COMPLETED BY OTHERS

CONCRETE ANCHOR TYP 1/2" X 3" MINIMUM SIZE MAY BE INCREASED AS NEEDED

POWERLIFT FRAME POST

MINIMUM 1/4" THICK POWERLIFT FOOT PLATE 1 PER POWERLIFT FRAME POST

POWERLIFT BOTTOM DOOR TRUSS VARIES IN SIZE, CONFIGURATION, AND LOCATION

POWERLIFT DOOR SEAL TO BE INSTALLED TO FILL GAP (NOT SHOWN)

SECTION C-C SCALE 1 : 10

PROPRIETARY AND CONFIDENTIAL

THE INFORMATION CONTAINED IN THIS DRAWING IS THE SOLE PROPERTY OF POWERLIFT DOORS. ANY REPRODUCTION IN PART OR AS A WHOLE WITHOUT THE WRITTEN PERMISSION OF POWERLIFT DOORS IS PROHIBITED.



		UNLESS OTHERWISE SPECIFIED:		NAME	DATE
		DIMENSIONS ARE IN INCHES	DRAWN		
		TOLERANCES:	CHECKED		
		FRACTIONAL ±	ENG APPR.		
		ANGULAR: MACH ± BEND ±	MFG APPR.		
		TWO PLACE DECIMAL ±	Q.A.		
		THREE PLACE DECIMAL ±	COMMENTS:		
		INTERPRET GEOMETRIC TOLERANCING PER: ASME Y14. 5-2009			
		MATERIAL			
		FINISH			
NEXT ASSY	USED ON				
APPLICATION		DO NOT SCALE DRAWING			

Part Number	N/A	
TITLE:	Tube Jamb and Header	
SIZE	Door Type(s)	REV
A	Standard	A
SCALE: 1:25	WEIGHT:	SHEET 3 OF 3

A

A

2

1