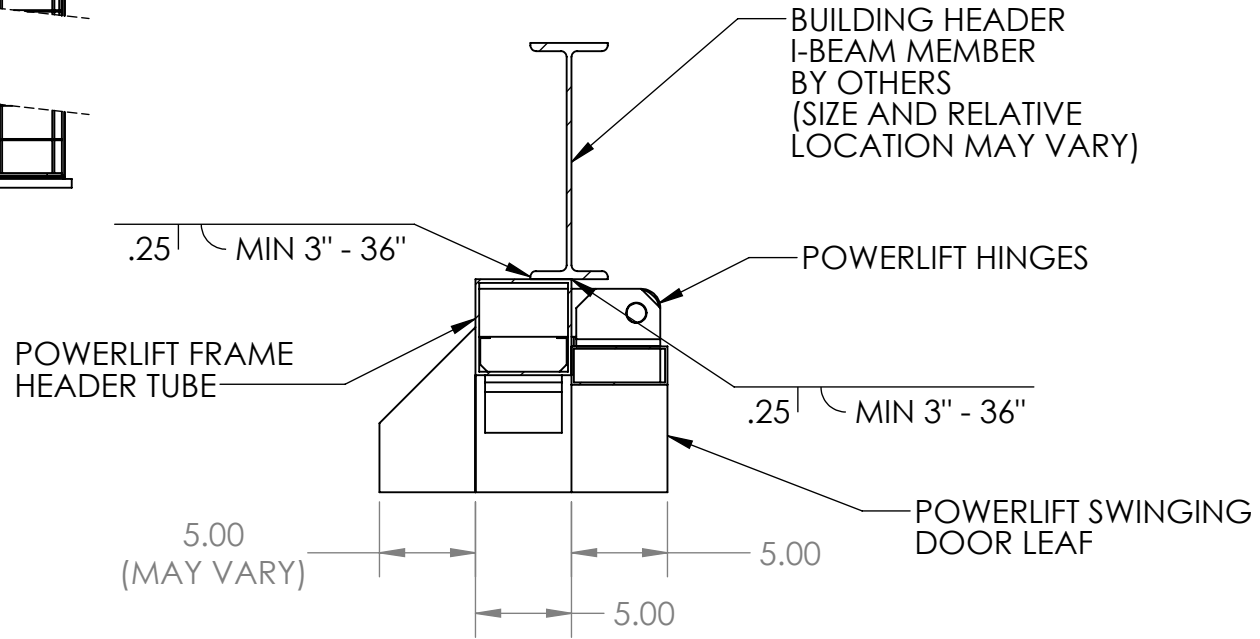
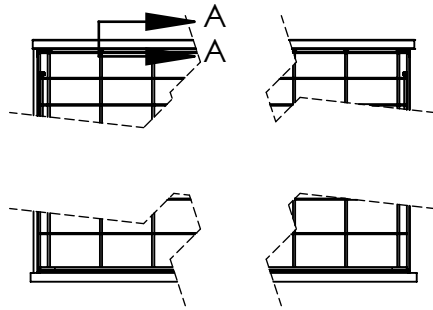


Thursday, March 25, 2021 9:39:33 AM

# POWERLIFT STANDARD HEAD DETAIL (I-BEAM BUILDING HEAD MEMBER)

B

B



SECTION A-A  
SCALE 1 : 10

**PROPRIETARY AND CONFIDENTIAL**

THE INFORMATION CONTAINED IN THIS DRAWING IS THE SOLE PROPERTY OF POWERLIFT DOORS. ANY REPRODUCTION IN PART OR AS A WHOLE WITHOUT THE WRITTEN PERMISSION OF POWERLIFT DOORS IS PROHIBITED.



		UNLESS OTHERWISE SPECIFIED:		NAME	DATE
		DIMENSIONS ARE IN INCHES	DRAWN		
		TOLERANCES:	CHECKED		
		FRACTIONAL ±	ENG APPR.		
		ANGULAR: MACH ± BEND ±	MFG APPR.		
		TWO PLACE DECIMAL ±	Q.A.		
		THREE PLACE DECIMAL ±	COMMENTS:		
		INTERPRET GEOMETRIC TOLERANCING PER: ASME Y14. 5-2009			
		MATERIAL			
		FINISH			
NEXT ASSY	USED ON				
APPLICATION		DO NOT SCALE DRAWING			

Part Number	N/A	
TITLE:	I-Beam Jamb and Header	
SIZE	Door Type(s)	REV
<b>A</b>	Standard	A
SCALE: 1:25	WEIGHT:	SHEET 1 OF 3

A

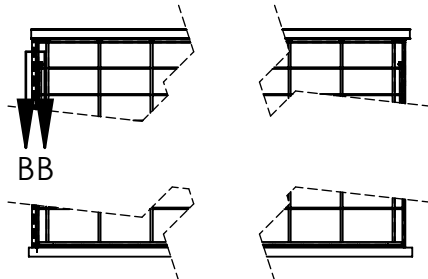
A

Thursday, March 25, 2021 9:39:33 AM

# POWERLIFT STANDARD JAMB DETAIL (I-BEAM BUILDING JAMB MEMBER)

B

B

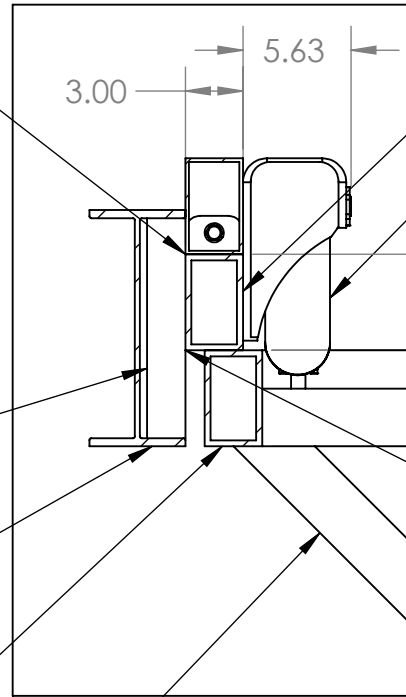


2" X 2" X 1/4" OR LARGER ANGLE IRON WELDED TO I-BEAM FLANGES EVERY 24" OR LESS ON-CENTER FLAT OF ANGLE IRON FLUSH WITH EDGES OF I-BEAM FLANGES (BY OTHERS)

BUILDING JAMB I-BEAM MEMBER BY OTHERS (SIZE AND RELATIVE LOCATION MAY VARY)

POWERLIFT OUTSIDE DOOR LEG MEMBER

POWERLIFT DOOR BOTTOM TRUSS MEMBER



POWERLIFT OUTSIDE FRAME POST MEMBER

POWERLIFT CYLINDER

5.00

5.00

.25 MIN 3" - 36"

SECTION B-B  
SCALE 1 : 10

**PROPRIETARY AND CONFIDENTIAL**

THE INFORMATION CONTAINED IN THIS DRAWING IS THE SOLE PROPERTY OF POWERLIFT DOORS. ANY REPRODUCTION IN PART OR AS A WHOLE WITHOUT THE WRITTEN PERMISSION OF POWERLIFT DOORS IS PROHIBITED.



		UNLESS OTHERWISE SPECIFIED:	NAME	DATE
		DIMENSIONS ARE IN INCHES	DRAWN	
		TOLERANCES:	CHECKED	
		FRACTIONAL ±	ENG APPR.	
		ANGULAR: MACH ± BEND ±	MFG APPR.	
		TWO PLACE DECIMAL ±	Q.A.	
		THREE PLACE DECIMAL ±	COMMENTS:	
		INTERPRET GEOMETRIC TOLERANCING PER: ASME Y14. 5-2009		
		MATERIAL		
NEXT ASSY	USED ON	FINISH		
APPLICATION		DO NOT SCALE DRAWING		

Part Number	N/A	
TITLE:	I-Beam Jamb and Header	
SIZE	Door Type(s)	REV
<b>A</b>	Standard	A
SCALE: 1:25	WEIGHT:	SHEET 2 OF 3

A

A

2

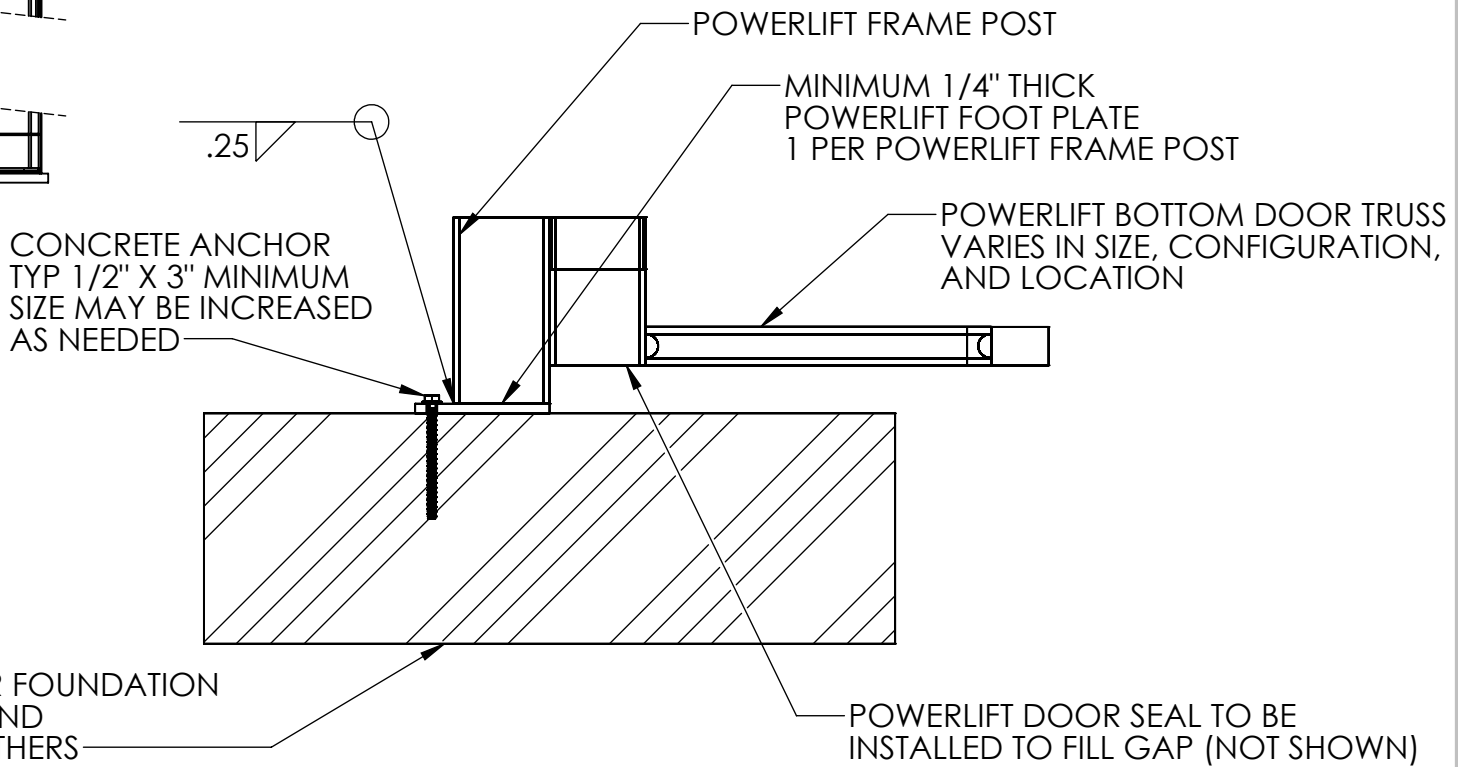
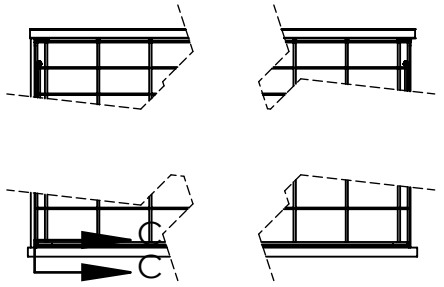
1

Thursday, March 25, 2021 9:39:33 AM

# POWERLIFT STANDARD SILL DETAIL

B

B



SECTION C-C  
SCALE 1 : 10

A

A

**PROPRIETARY AND CONFIDENTIAL**

THE INFORMATION CONTAINED IN THIS DRAWING IS THE SOLE PROPERTY OF POWERLIFT DOORS. ANY REPRODUCTION IN PART OR AS A WHOLE WITHOUT THE WRITTEN PERMISSION OF POWERLIFT DOORS IS PROHIBITED.



		UNLESS OTHERWISE SPECIFIED:		NAME	DATE
		DIMENSIONS ARE IN INCHES	DRAWN		
		TOLERANCES:	CHECKED		
		FRACTIONAL ±	ENG APPR.		
		ANGULAR: MACH ± BEND ±	MFG APPR.		
		TWO PLACE DECIMAL ±	Q.A.		
		THREE PLACE DECIMAL ±	COMMENTS:		
		INTERPRET GEOMETRIC TOLERANCING PER: ASME Y14. 5-2009			
		MATERIAL			
		FINISH			
NEXT ASSY	USED ON				
APPLICATION		DO NOT SCALE DRAWING			

Part Number	N/A	
TITLE:	I-Beam Jamb and Header	
SIZE	Door Type(s)	REV
<b>A</b>	Standard	A
SCALE: 1:25	WEIGHT:	SHEET 3 OF 3

2

1