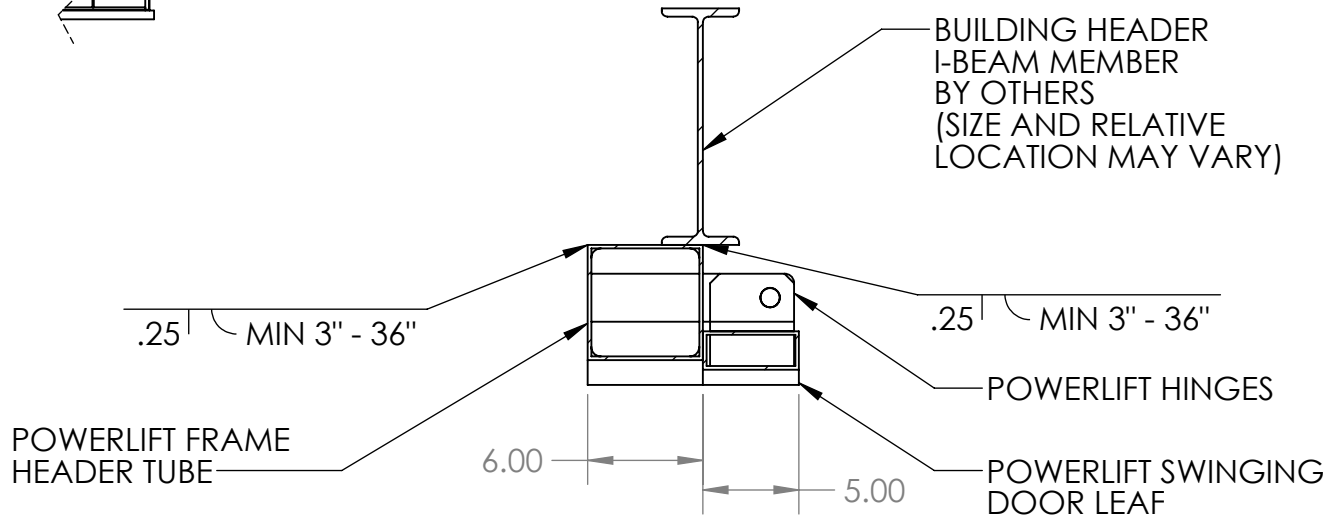
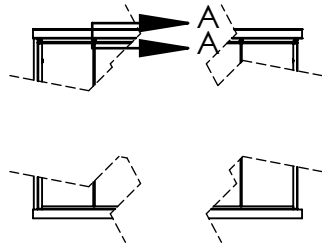


Monday, August 23, 2021 10:01:53 AM

# POWERLIFT LARGE FRAME HIDDEN CYLINDER HEAD DETAIL (I-BEAM BUILDING HEAD MEMBER)



SECTION A-A  
SCALE 1 : 10

**PROPRIETARY AND CONFIDENTIAL**

THE INFORMATION CONTAINED IN THIS DRAWING IS THE SOLE PROPERTY OF POWERLIFT DOORS. ANY REPRODUCTION IN PART OR AS A WHOLE WITHOUT THE WRITTEN PERMISSION OF POWERLIFT DOORS IS PROHIBITED.



		UNLESS OTHERWISE SPECIFIED:		NAME	DATE
		DIMENSIONS ARE IN INCHES	DRAWN		
		TOLERANCES:	CHECKED		
		FRACTIONAL ±	ENG APPR.		
		ANGULAR: MACH ± BEND ±	MFG APPR.		
		TWO PLACE DECIMAL ±	Q.A.		
		THREE PLACE DECIMAL ±	COMMENTS:		
		INTERPRET GEOMETRIC TOLERANCING PER: ASME Y14. 5-2009			
		MATERIAL			
		FINISH			
NEXT ASSY	USED ON				
APPLICATION		DO NOT SCALE DRAWING			

Part Number		N/A	
TITLE:			
I-Beam Jamb and Header			
SIZE	Door Type(s)	REV	
<b>A</b>	Large Frame Hidden Cylinder	A	
SCALE: 1:25		WEIGHT:	SHEET 1 OF 3

B

B

A

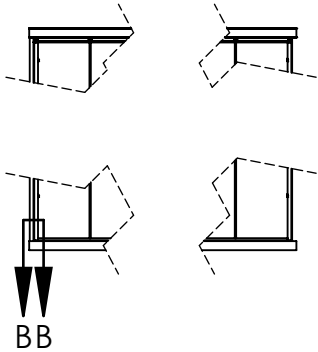
A

Monday, August 23, 2021 10:01:53 AM

# POWERLIFT LARGE FRAME HIDDEN CYLINDER JAMB DETAIL (I-BEAM BUILDING JAMB MEMBER)

B

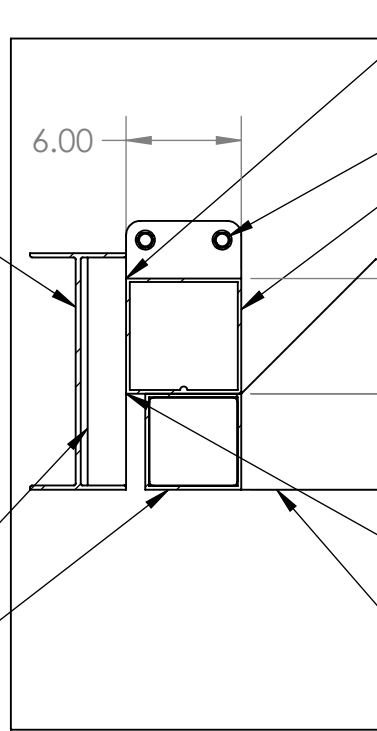
B



BUILDING JAMB I-BEAM MEMBER BY OTHERS (SIZE AND RELATIVE LOCATION MAY VARY)

1-1/2" 1-1/2" X 1/4" OR LARGER ANGLE IRON WELDED TO I-BEAM FLANGES EVERY 24" OR LESS ON-CENTER FLAT OF ANGLE IRON FLUSH WITH EDGES OF I-BEAM FLANGES (BY OTHERS)

POWERLIFT DOOR LEG MEMBER



.25 MIN 3" - 36"

CONCRETE ANCHORS SIZED PER DOOR TYP 1/2" DIAMETER X 3" MINIMUM

POWERLIFT FRAME POST MEMBER

6.00

5.00

.25 MIN 3" - 36"

POWERLIFT BOTTOM DOOR LEAF TUBE SIZE MAY VARY

SECTION B-B  
SCALE 1 : 10

**PROPRIETARY AND CONFIDENTIAL**

THE INFORMATION CONTAINED IN THIS DRAWING IS THE SOLE PROPERTY OF POWERLIFT DOORS. ANY REPRODUCTION IN PART OR AS A WHOLE WITHOUT THE WRITTEN PERMISSION OF POWERLIFT DOORS IS PROHIBITED.



UNLESS OTHERWISE SPECIFIED:		NAME	DATE
DIMENSIONS ARE IN INCHES		DRAWN	
TOLERANCES:		CHECKED	
FRACTIONAL ±		ENG APPR.	
ANGULAR: MACH ± BEND ±		MFG APPR.	
TWO PLACE DECIMAL ±		Q.A.	
THREE PLACE DECIMAL ±		COMMENTS:	
INTERPRET GEOMETRIC TOLERANCING PER: ASME Y14. 5-2009			
MATERIAL			
NEXT ASSY	USED ON		
FINISH			
APPLICATION		DO NOT SCALE DRAWING	

Part Number		N/A	
TITLE:			
I-Beam Jamb and Header			
SIZE	Door Type(s)	REV	
<b>A</b>	Large Frame Hidden Cylinder	<b>A</b>	
SCALE: 1:25		WEIGHT:	SHEET 2 OF 3

A

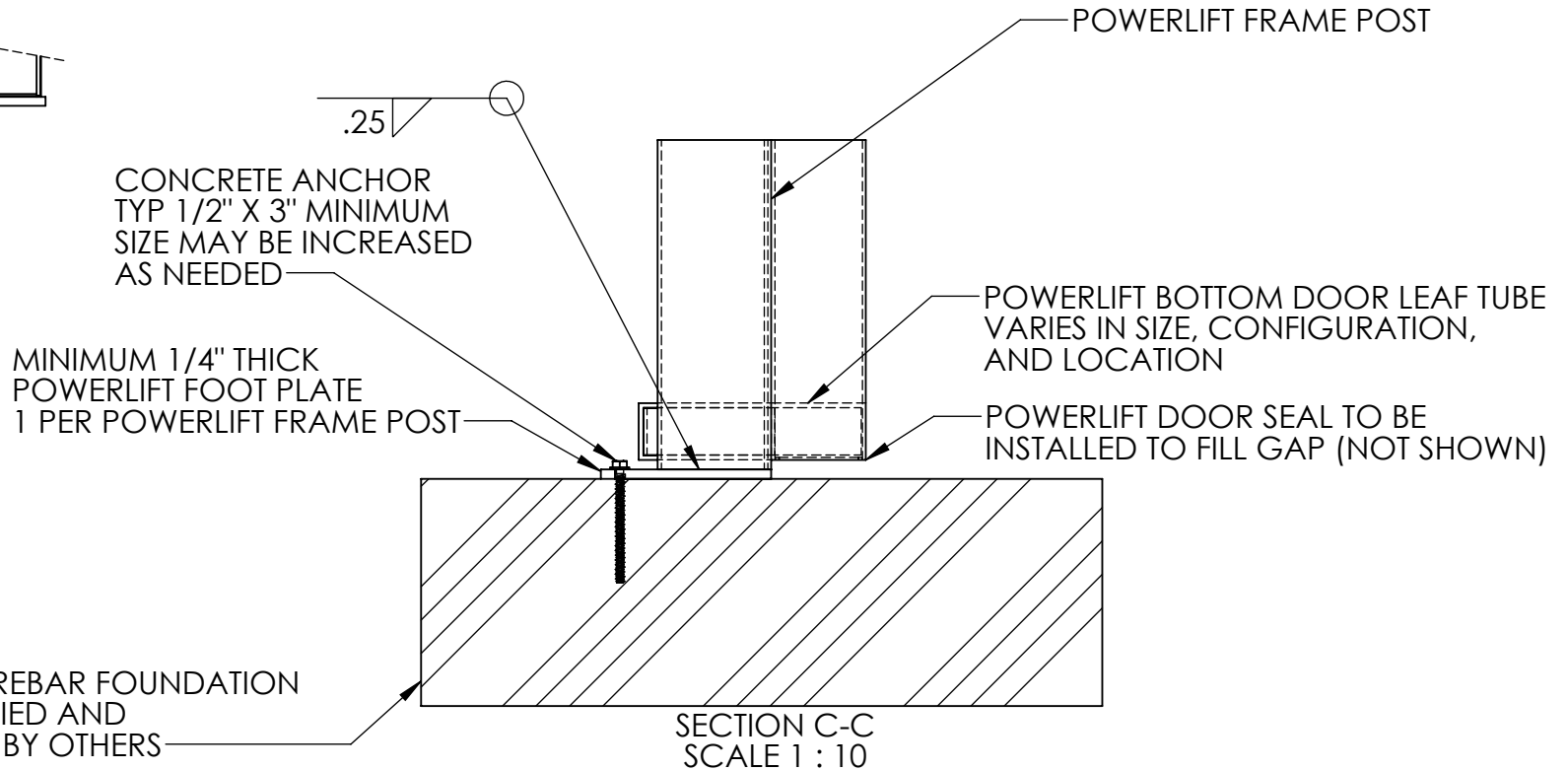
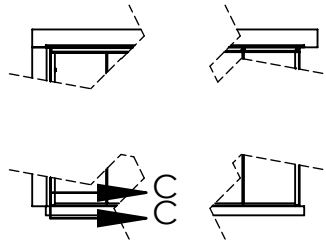
A

Monday, August 23, 2021 10:01:53 AM

# POWERLIFT LARGE FRAME HIDDEN CYLINDER SILL DETAIL

B

B



CONCRETE/REBAR FOUNDATION TO BE SPECIFIED AND COMPLETED BY OTHERS

SECTION C-C  
SCALE 1 : 10

### PROPRIETARY AND CONFIDENTIAL

THE INFORMATION CONTAINED IN THIS DRAWING IS THE SOLE PROPERTY OF POWERLIFT DOORS. ANY REPRODUCTION IN PART OR AS A WHOLE WITHOUT THE WRITTEN PERMISSION OF POWERLIFT DOORS IS PROHIBITED.



		UNLESS OTHERWISE SPECIFIED:		NAME	DATE
		DIMENSIONS ARE IN INCHES TOLERANCES: FRACTIONAL ± ANGULAR: MACH ± BEND ± TWO PLACE DECIMAL ± THREE PLACE DECIMAL ±		DRAWN	
		INTERPRET GEOMETRIC TOLERANCING PER: ASME Y14. 5-2009		CHECKED	
		MATERIAL		ENG APPR.	
NEXT ASSY	USED ON	FINISH		MFG APPR.	
APPLICATION		DO NOT SCALE DRAWING		Q.A.	
				COMMENTS:	

Part Number		N/A	
TITLE: I-Beam Jamb and Header			
SIZE	Door Type(s)	REV	
<b>A</b>	Large Frame Hidden Cylinder	A	
SCALE: 1:25		WEIGHT:	SHEET 3 OF 3

A

A