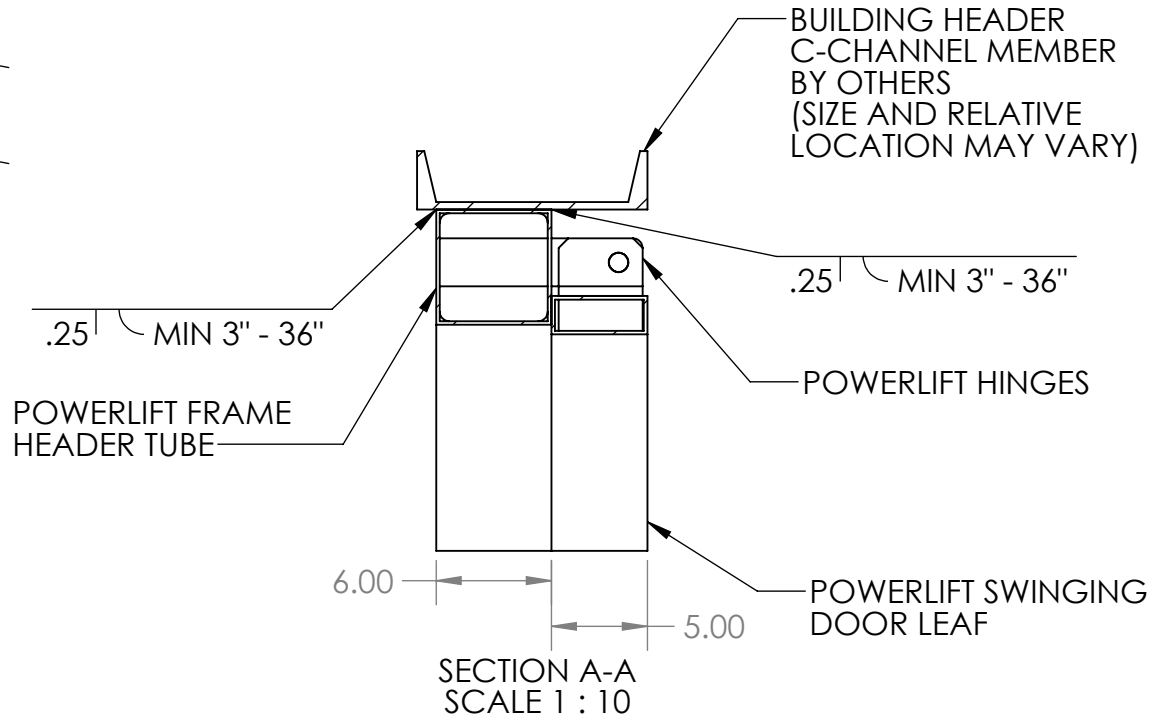
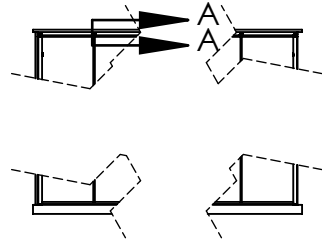


Tuesday, March 23, 2021 12:24:49 PM

POWERLIFT LARGE FRAME HIDDEN CYLINDER HEAD DETAIL (C-CHANNEL BUILDING HEAD MEMBER)



PROPRIETARY AND CONFIDENTIAL

THE INFORMATION CONTAINED IN THIS DRAWING IS THE SOLE PROPERTY OF POWERLIFT DOORS. ANY REPRODUCTION IN PART OR AS A WHOLE WITHOUT THE WRITTEN PERMISSION OF POWERLIFT DOORS IS PROHIBITED.



| | | | | | |
|--|--|---|----------------------|-----------|------|
| | | UNLESS OTHERWISE SPECIFIED: | | NAME | DATE |
| | | DIMENSIONS ARE IN INCHES TOLERANCES: FRACTIONAL \pm ANGULAR: MACH \pm BEND \pm TWO PLACE DECIMAL \pm THREE PLACE DECIMAL \pm | DRAWN | | |
| | | INTERPRET GEOMETRIC TOLERANCING PER: ASME Y14. 5-2009 | CHECKED | | |
| | | MATERIAL | ENG APPR. | | |
| | | FINISH | MFG APPR. | | |
| | | NEXT ASSY | USED ON | Q.A. | |
| | | APPLICATION | DO NOT SCALE DRAWING | COMMENTS: | |

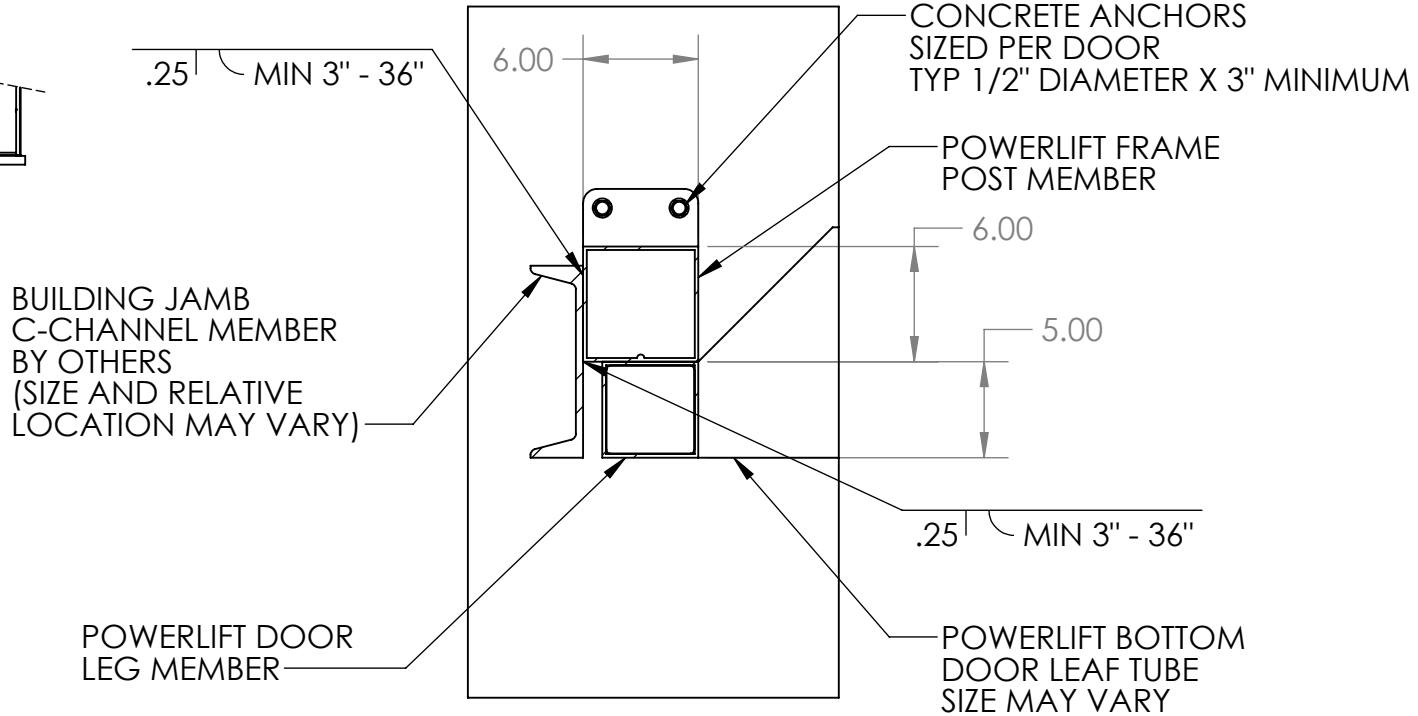
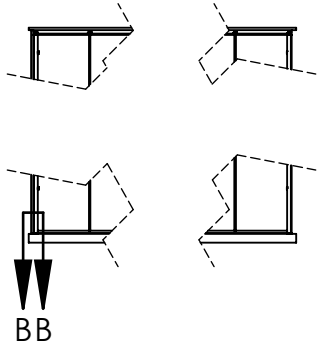
| | | |
|-------------|-----------------------------|--------------|
| Part Number | N/A | |
| TITLE: | C-Channel Jamb and Header | |
| SIZE | Door Type(s) | REV |
| A | Large Frame Hidden Cylinder | A |
| SCALE: 1:25 | WEIGHT: | SHEET 1 OF 3 |

Tuesday, March 23, 2021 12:24:49 PM

POWERLIFT LARGE FRAME HIDDEN CYLINDER JAMB DETAIL (C-CHANNEL BUILDING JAMB MEMBER)

B

B



BUILDING JAMB
C-CHANNEL MEMBER
BY OTHERS
(SIZE AND RELATIVE
LOCATION MAY VARY)

POWERLIFT DOOR
LEG MEMBER

SECTION B-B
SCALE 1 : 10

PROPRIETARY AND CONFIDENTIAL

THE INFORMATION CONTAINED
IN THIS DRAWING IS THE SOLE
PROPERTY OF POWERLIFT
DOORS. ANY REPRODUCTION
IN PART OR AS A WHOLE
WITHOUT THE WRITTEN
PERMISSION OF POWERLIFT
DOORS IS PROHIBITED.



| | | | | | |
|-------------|---------|--|-----------|------|------|
| | | UNLESS OTHERWISE SPECIFIED: | | NAME | DATE |
| | | DIMENSIONS ARE IN INCHES | DRAWN | | |
| | | TOLERANCES: | CHECKED | | |
| | | FRACTIONAL ± | ENG APPR. | | |
| | | ANGULAR: MACH ± BEND ± | MFG APPR. | | |
| | | TWO PLACE DECIMAL ± | Q.A. | | |
| | | THREE PLACE DECIMAL ± | COMMENTS: | | |
| | | INTERPRET GEOMETRIC TOLERANCING PER: ASME Y14. 5-2009 | | | |
| | | MATERIAL | | | |
| | | FINISH | | | |
| NEXT ASSY | USED ON | | | | |
| APPLICATION | | DO NOT SCALE DRAWING | | | |

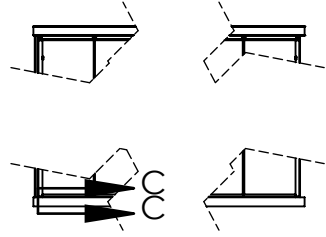
| | | |
|-------------|-----------------------------|--------------|
| Part Number | N/A | |
| TITLE: | C-Channel Jamb and Header | |
| SIZE | Door Type(s) | REV |
| A | Large Frame Hidden Cylinder | A |
| SCALE: 1:25 | WEIGHT: | SHEET 2 OF 3 |

A

A

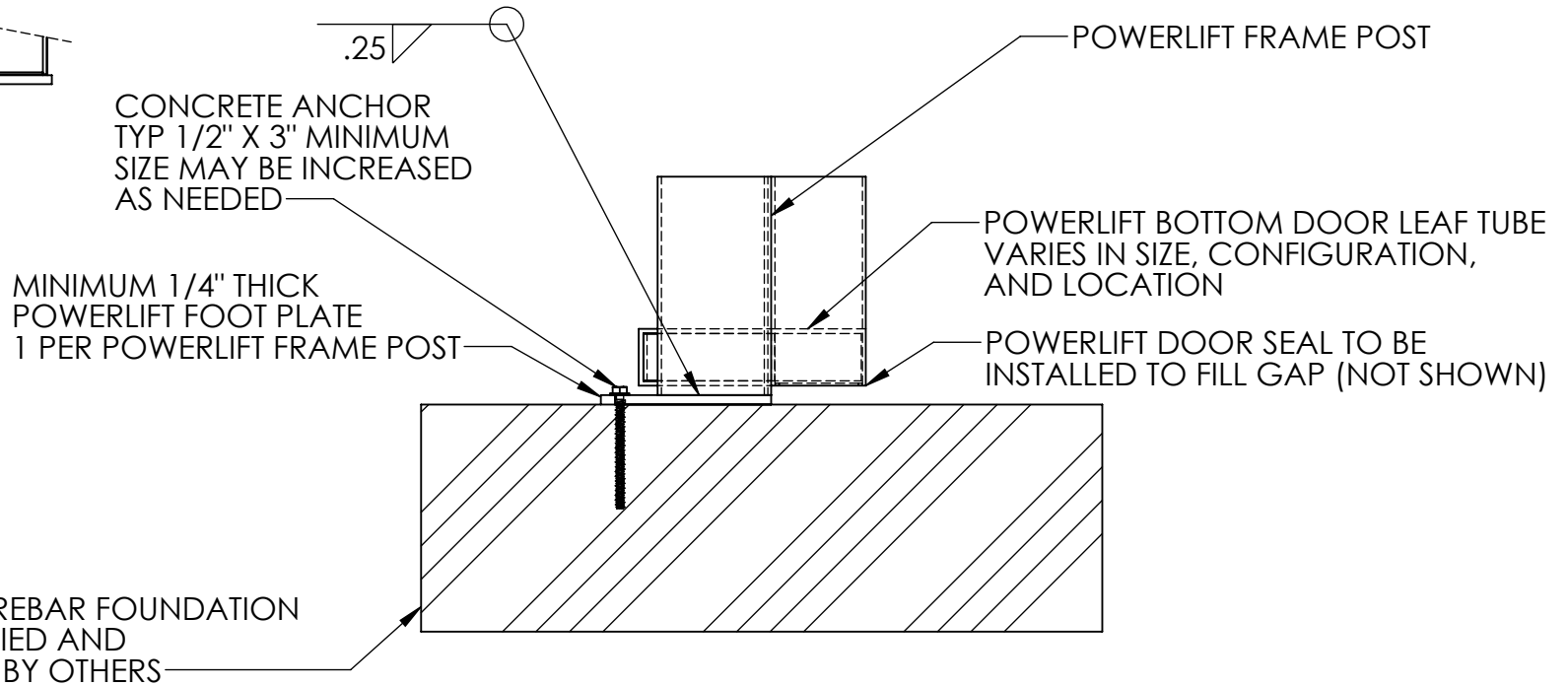
Tuesday, March 23, 2021 12:24:49 PM

POWERLIFT LARGE FRAME HIDDEN CYLINDER SILL DETAIL



B

B



SECTION C-C
SCALE 1 : 10

PROPRIETARY AND CONFIDENTIAL

THE INFORMATION CONTAINED
IN THIS DRAWING IS THE SOLE
PROPERTY OF POWERLIFT
DOORS. ANY REPRODUCTION
IN PART OR AS A WHOLE
WITHOUT THE WRITTEN
PERMISSION OF POWERLIFT
DOORS IS PROHIBITED.



| | | | | | |
|-------------|---------|--|-----------|------|------|
| | | UNLESS OTHERWISE SPECIFIED: | | NAME | DATE |
| | | DIMENSIONS ARE IN INCHES | DRAWN | | |
| | | TOLERANCES: | CHECKED | | |
| | | FRACTIONAL ± | ENG APPR. | | |
| | | ANGULAR: MACH ± BEND ± | MFG APPR. | | |
| | | TWO PLACE DECIMAL ± | Q.A. | | |
| | | THREE PLACE DECIMAL ± | COMMENTS: | | |
| | | INTERPRET GEOMETRIC TOLERANCING PER: ASME Y14. 5-2009 | | | |
| | | MATERIAL | | | |
| | | FINISH | | | |
| NEXT ASSY | USED ON | | | | |
| APPLICATION | | DO NOT SCALE DRAWING | | | |

| | | |
|-------------|-----------------------------|--------------|
| Part Number | N/A | |
| TITLE: | C-Channel Jamb and Header | |
| SIZE | Door Type(s) | REV |
| A | Large Frame Hidden Cylinder | A |
| SCALE: 1:25 | WEIGHT: | SHEET 3 OF 3 |

A

A