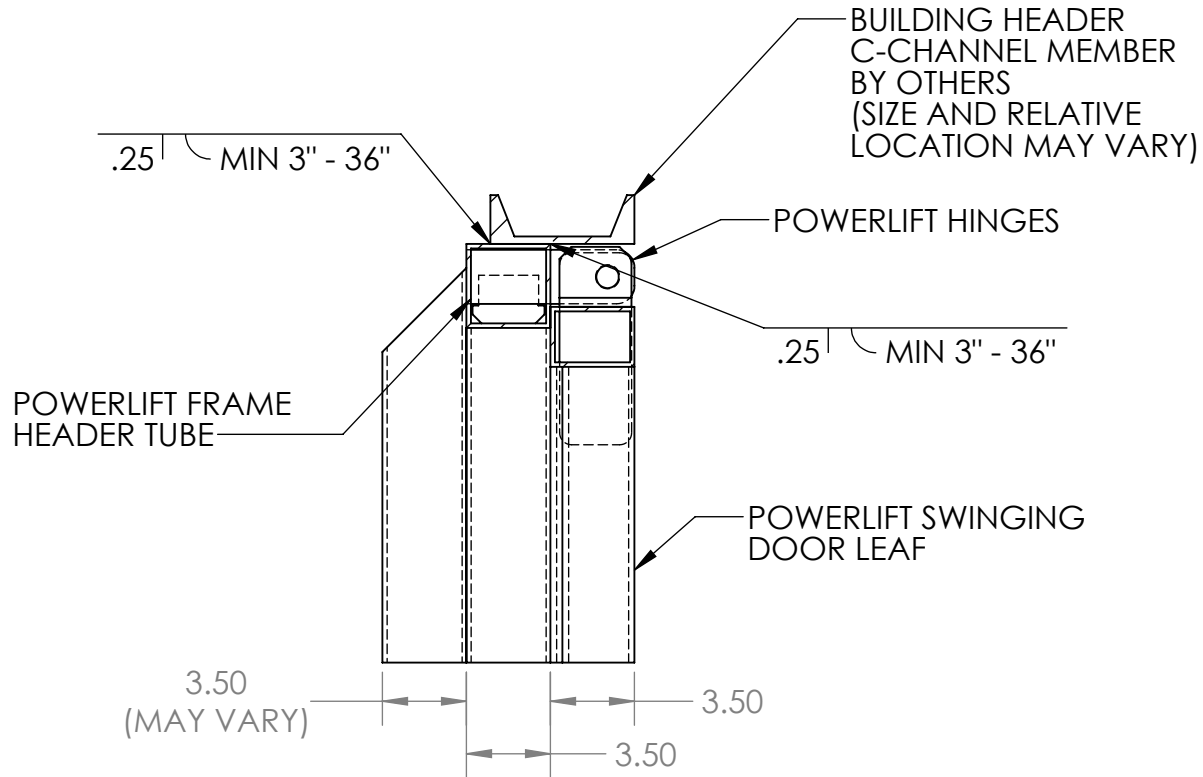
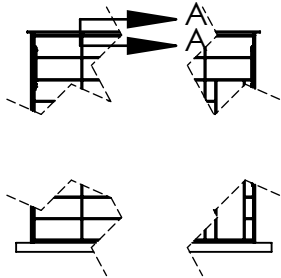


Tuesday, July 27, 2021 11:24:18 AM

POWERLIFT JUNIOR HEAD DETAIL (C-CHANNEL BUILDING HEAD MEMBER)



SECTION A-A
SCALE 1 : 8

PROPRIETARY AND CONFIDENTIAL

THE INFORMATION CONTAINED IN THIS DRAWING IS THE SOLE PROPERTY OF POWERLIFT DOORS. ANY REPRODUCTION IN PART OR AS A WHOLE WITHOUT THE WRITTEN PERMISSION OF POWERLIFT DOORS IS PROHIBITED.



		UNLESS OTHERWISE SPECIFIED:		NAME	DATE
		DIMENSIONS ARE IN INCHES	DRAWN		
		TOLERANCES:	CHECKED		
		FRACTIONAL ±	ENG APPR.		
		ANGULAR: MACH ± BEND ±	MFG APPR.		
		TWO PLACE DECIMAL ±	Q.A.		
		THREE PLACE DECIMAL ±	COMMENTS:		
		INTERPRET GEOMETRIC TOLERANCING PER: ASME Y14. 5-2009			
		MATERIAL			
NEXT ASSY	USED ON	FINISH			
APPLICATION		DO NOT SCALE DRAWING			

Part Number	N/A	
TITLE:	C-Channel Jamb and Header	
SIZE	Door Type(s)	REV
A	Junior	A
SCALE: 1:25	WEIGHT:	SHEET 1 OF 3

B

B

A

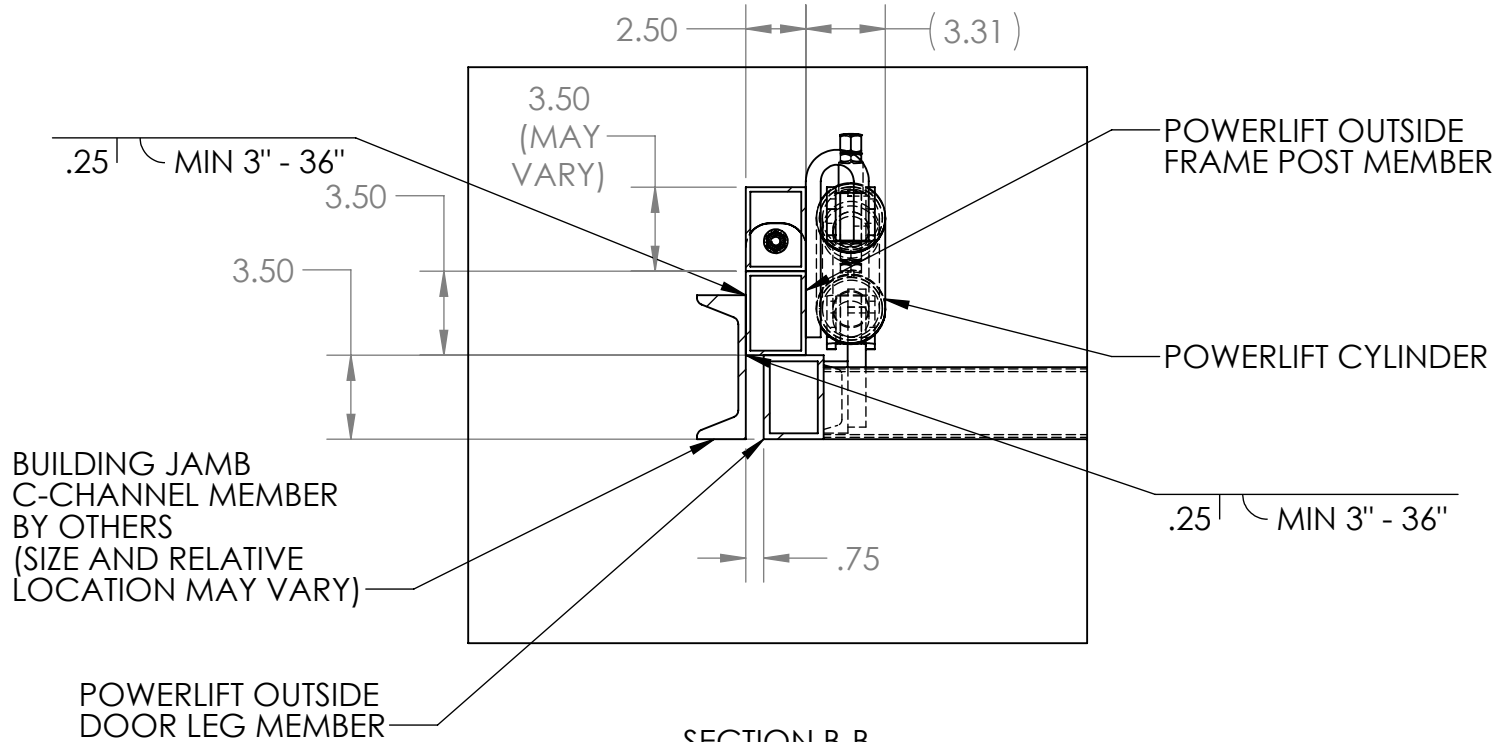
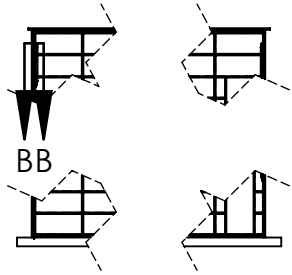
A

Tuesday, July 27, 2021 11:24:18 AM

POWERLIFT JUNIOR JAMB DETAIL (C-CHANNEL BUILDING JAMB MEMBER)

B

B



SECTION B-B
SCALE 1 : 8

PROPRIETARY AND CONFIDENTIAL

THE INFORMATION CONTAINED IN THIS DRAWING IS THE SOLE PROPERTY OF POWERLIFT DOORS. ANY REPRODUCTION IN PART OR AS A WHOLE WITHOUT THE WRITTEN PERMISSION OF POWERLIFT DOORS IS PROHIBITED.



		UNLESS OTHERWISE SPECIFIED:		NAME	DATE
		DIMENSIONS ARE IN INCHES	DRAWN		
		TOLERANCES:	CHECKED		
		FRACTIONAL ±	ENG APPR.		
		ANGULAR: MACH ± BEND ±	MFG APPR.		
		TWO PLACE DECIMAL ±	Q.A.		
		THREE PLACE DECIMAL ±	COMMENTS:		
		INTERPRET GEOMETRIC TOLERANCING PER: ASME Y14. 5-2009			
		MATERIAL			
		FINISH			
NEXT ASSY	USED ON				
APPLICATION		DO NOT SCALE DRAWING			

Part Number	N/A	
TITLE:	C-Channel Jamb and Header	
SIZE	Door Type(s)	REV
A	Junior	A
SCALE: 1:25	WEIGHT:	SHEET 2 OF 3

A

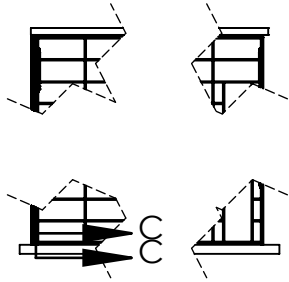
A

2

1

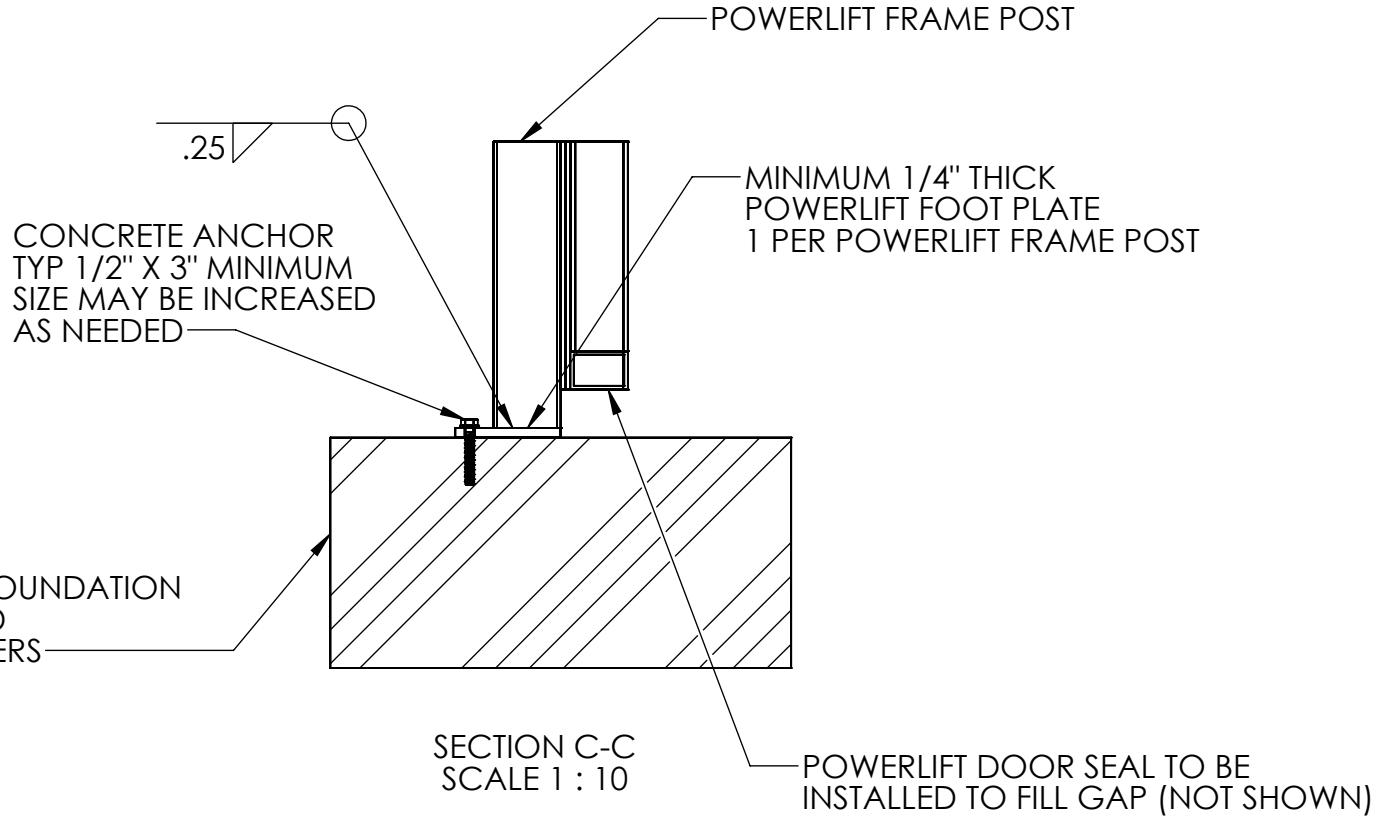
Tuesday, July 27, 2021 11:24:18 AM

POWERLIFT JUNIOR SILL DETAIL



B

B



CONCRETE/REBAR FOUNDATION TO BE SPECIFIED AND COMPLETED BY OTHERS

SECTION C-C
SCALE 1 : 10

POWERLIFT DOOR SEAL TO BE INSTALLED TO FILL GAP (NOT SHOWN)

PROPRIETARY AND CONFIDENTIAL

THE INFORMATION CONTAINED IN THIS DRAWING IS THE SOLE PROPERTY OF POWERLIFT DOORS. ANY REPRODUCTION IN PART OR AS A WHOLE WITHOUT THE WRITTEN PERMISSION OF POWERLIFT DOORS IS PROHIBITED.



		UNLESS OTHERWISE SPECIFIED:		NAME	DATE
		DIMENSIONS ARE IN INCHES	DRAWN		
		TOLERANCES:	CHECKED		
		FRACTIONAL ±	ENG APPR.		
		ANGULAR: MACH ± BEND ±	MFG APPR.		
		TWO PLACE DECIMAL ±	Q.A.		
		THREE PLACE DECIMAL ±	COMMENTS:		
		INTERPRET GEOMETRIC TOLERANCING PER: ASME Y14. 5-2009			
		MATERIAL			
		FINISH			
NEXT ASSY	USED ON				
APPLICATION		DO NOT SCALE DRAWING			

Part Number	N/A	
TITLE:	C-Channel Jamb and Header	
SIZE	Door Type(s)	REV
A	Junior	A
SCALE: 1:25	WEIGHT:	SHEET 3 OF 3

A

A

2

1