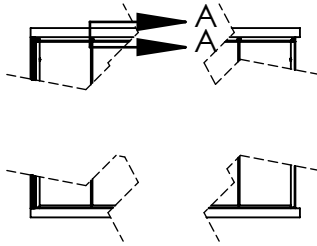


Tuesday, March 23, 2021 12:47:19 PM

POWERLIFT LARGE FRAME HIDDEN CYLINDER HEAD DETAIL (WOOD BUILDING HEAD MEMBER)

B

B



WOOD LAGS SPACED
36" MAX ON-CENTER
TYP 1/2" X 5" WOOD LAG
(SIZE MAY VARY)

BUILDING HEADER
WOOD MEMBER
BY OTHERS
(SIZE AND RELATIVE
LOCATION MAY VARY)

POWERLIFT FRAME
HEADER TUBE

POWERLIFT HINGES

POWERLIFT SWINGING
DOOR LEAF

6.00

5.00

SECTION A-A
SCALE 1 : 10

PROPRIETARY AND CONFIDENTIAL

THE INFORMATION CONTAINED
IN THIS DRAWING IS THE SOLE
PROPERTY OF POWERLIFT
DOORS. ANY REPRODUCTION
IN PART OR AS A WHOLE
WITHOUT THE WRITTEN
PERMISSION OF POWERLIFT
DOORS IS PROHIBITED.



| | | | | | |
|-------------|---------|--|-----------|------|------|
| | | UNLESS OTHERWISE SPECIFIED: | | NAME | DATE |
| | | DIMENSIONS ARE IN INCHES | DRAWN | | |
| | | TOLERANCES: | CHECKED | | |
| | | FRACTIONAL ± | ENG APPR. | | |
| | | ANGULAR: MACH ± BEND ± | MFG APPR. | | |
| | | TWO PLACE DECIMAL ± | Q.A. | | |
| | | THREE PLACE DECIMAL ± | COMMENTS: | | |
| | | INTERPRET GEOMETRIC TOLERANCING PER: ASME Y14. 5-2009 | | | |
| | | MATERIAL | | | |
| | | FINISH | | | |
| NEXT ASSY | USED ON | | | | |
| APPLICATION | | DO NOT SCALE DRAWING | | | |

| | | |
|-------------|---------------------------------|--------------|
| Part Number | N/A | |
| TITLE: | Wood Jamb and Solid Wood Header | |
| SIZE | Door Type(s) | REV |
| A | Large Frame Hidden Cylinder | A |
| SCALE: 1:25 | WEIGHT: | SHEET 1 OF 3 |

A

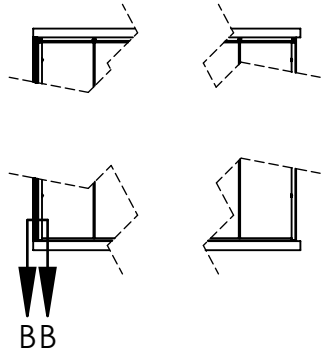
A

Tuesday, March 23, 2021 12:47:19 PM

POWERLIFT LARGE FRAME HIDDEN CYLINDER JAMB DETAIL (WOOD BUILDING JAMB MEMBER)

B

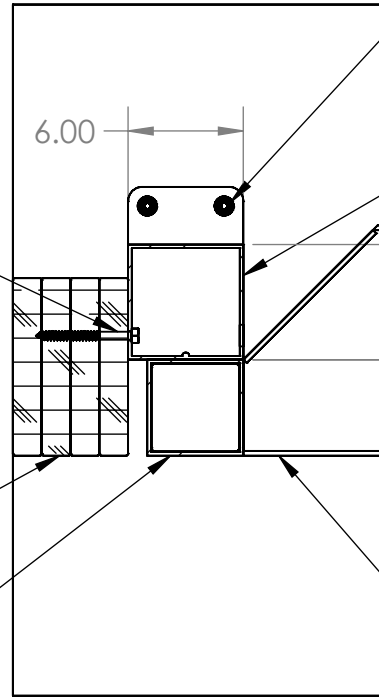
B



WOOD LAGS SPACED
36" MAX ON-CENTER TYP
1/2" X 5" WOOD LAG
(SIZE MAY VARY)

BUILDING JAMB
2X10 WOOD MEMBERS
BY OTHERS
(SIZE AND RELATIVE
LOCATION MAY VARY)

POWERLIFT DOOR
LEG MEMBER



CONCRETE ANCHORS
SIZED PER DOOR
TYP 1/2" DIAMETER X 3" MINIMUM

POWERLIFT FRAME
POST MEMBER

6.00

5.00

POWERLIFT BOTTOM
DOOR LEAF TUBE
SIZE MAY VARY

SECTION B-B
SCALE 1 : 10

PROPRIETARY AND CONFIDENTIAL

THE INFORMATION CONTAINED
IN THIS DRAWING IS THE SOLE
PROPERTY OF POWERLIFT
DOORS. ANY REPRODUCTION
IN PART OR AS A WHOLE
WITHOUT THE WRITTEN
PERMISSION OF POWERLIFT
DOORS IS PROHIBITED.



| | | | | | |
|--|--|---|----------------------|-----------|------|
| | | UNLESS OTHERWISE SPECIFIED: | | NAME | DATE |
| | | DIMENSIONS ARE IN INCHES TOLERANCES: FRACTIONAL ± ANGULAR: MACH ± BEND ± TWO PLACE DECIMAL ± THREE PLACE DECIMAL ± | DRAWN | | |
| | | INTERPRET GEOMETRIC TOLERANCING PER: ASME Y14. 5-2009 | CHECKED | | |
| | | MATERIAL | ENG APPR. | | |
| | | FINISH | MFG APPR. | | |
| | | NEXT ASSY | USED ON | Q.A. | |
| | | APPLICATION | DO NOT SCALE DRAWING | COMMENTS: | |

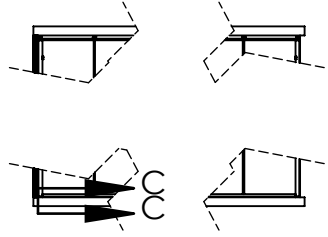
| | | |
|-------------|---|--------------|
| Part Number | N/A | |
| TITLE: | Wood Jamb and Solid Wood Header | |
| SIZE | Door Type(s) Large Frame Hidden Cylinder | REV A |
| SCALE: 1:25 | WEIGHT: | SHEET 2 OF 3 |

A

A

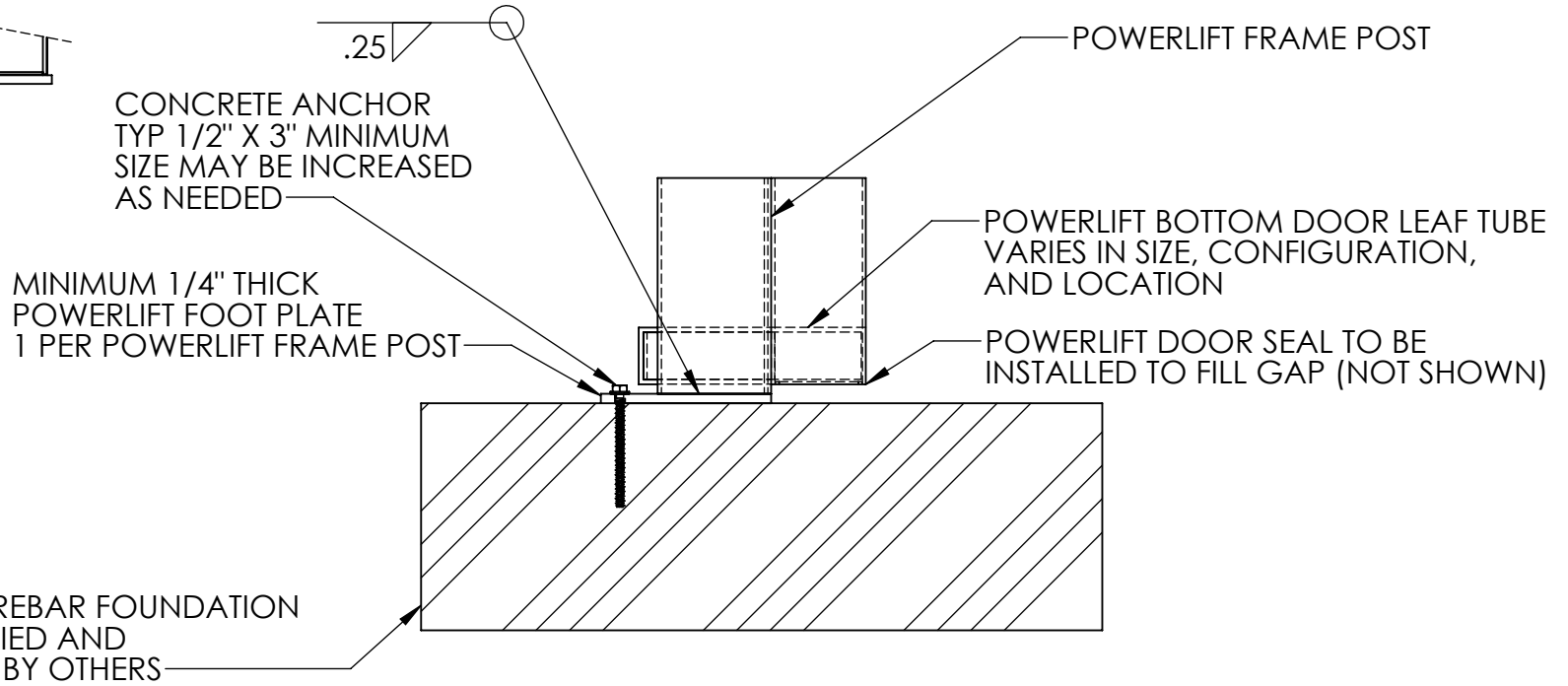
Tuesday, March 23, 2021 12:47:19 PM

POWERLIFT LARGE FRAME HIDDEN CYLINDER SILL DETAIL



B

B



SECTION C-C
SCALE 1 : 10

PROPRIETARY AND CONFIDENTIAL

THE INFORMATION CONTAINED IN THIS DRAWING IS THE SOLE PROPERTY OF POWERLIFT DOORS. ANY REPRODUCTION IN PART OR AS A WHOLE WITHOUT THE WRITTEN PERMISSION OF POWERLIFT DOORS IS PROHIBITED.



| | | | | | |
|-------------|---------|---|-----------|------|------|
| | | UNLESS OTHERWISE SPECIFIED: | | NAME | DATE |
| | | DIMENSIONS ARE IN INCHES | DRAWN | | |
| | | TOLERANCES: | CHECKED | | |
| | | FRACTIONAL ± | ENG APPR. | | |
| | | ANGULAR: MACH ± BEND ± | MFG APPR. | | |
| | | TWO PLACE DECIMAL ± | Q.A. | | |
| | | THREE PLACE DECIMAL ± | COMMENTS: | | |
| | | INTERPRET GEOMETRIC TOLERANCING PER: ASME Y14. 5-2009 | | | |
| | | MATERIAL | | | |
| | | FINISH | | | |
| NEXT ASSY | USED ON | | | | |
| APPLICATION | | DO NOT SCALE DRAWING | | | |

| | | |
|-------------|---------------------------------|--------------|
| Part Number | N/A | |
| TITLE: | Wood Jamb and Solid Wood Header | |
| SIZE | Door Type(s) | REV |
| A | Large Frame Hidden Cylinder | A |
| SCALE: 1:25 | WEIGHT: | SHEET 3 OF 3 |

A

A