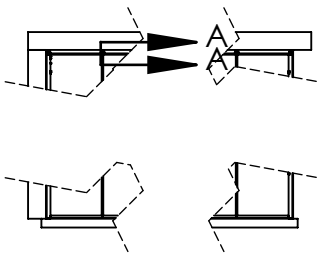


Monday, August 23, 2021 11:54:10 AM

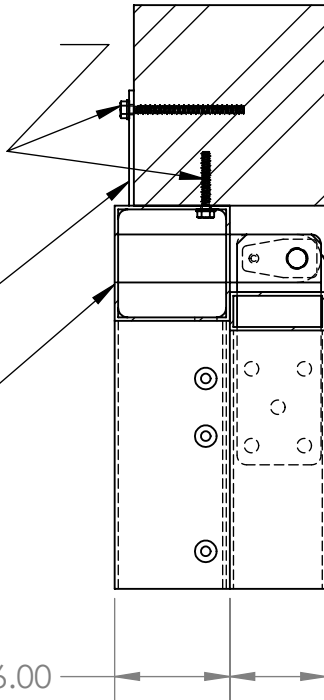
POWERLIFT LARGE FRAME HIDDEN CYLINDER HEAD DETAIL (CONCRETE BUILDING HEAD MEMBER)



CONCRETE ANCHORS THROUGH STEEL TAB INTO CONCRETE BUILDING HEADER

STEEL TABS WELDED TO POWERLIFT FRAME HEADER FOR ANCHORS

POWERLIFT FRAME HEADER TUBE



BUILDING HEADER CONCRETE BY OTHERS (SIZE AND RELATIVE LOCATION MAY VARY)

POWERLIFT HINGES

POWERLIFT SWINGING DOOR LEAF

SECTION A-A
SCALE 1 : 10

PROPRIETARY AND CONFIDENTIAL

THE INFORMATION CONTAINED IN THIS DRAWING IS THE SOLE PROPERTY OF POWERLIFT DOORS. ANY REPRODUCTION IN PART OR AS A WHOLE WITHOUT THE WRITTEN PERMISSION OF POWERLIFT DOORS IS PROHIBITED.



		UNLESS OTHERWISE SPECIFIED:		NAME	DATE
		DIMENSIONS ARE IN INCHES	DRAWN		
		TOLERANCES:	CHECKED		
		FRACTIONAL ±	ENG APPR.		
		ANGULAR: MACH ± BEND ±	MFG APPR.		
		TWO PLACE DECIMAL ±	Q.A.		
		THREE PLACE DECIMAL ±	COMMENTS:		
		INTERPRET GEOMETRIC TOLERANCING PER: ASME Y14. 5-2009			
		MATERIAL			
		FINISH			
NEXT ASSY	USED ON				
APPLICATION		DO NOT SCALE DRAWING			

Part Number	N/A	
TITLE:	Concrete Jamb and Header	
SIZE	Door Type(s)	REV
A	Large Frame Hidden Cylinder	A
SCALE: 1:25	WEIGHT:	SHEET 1 OF 3

B

B

A

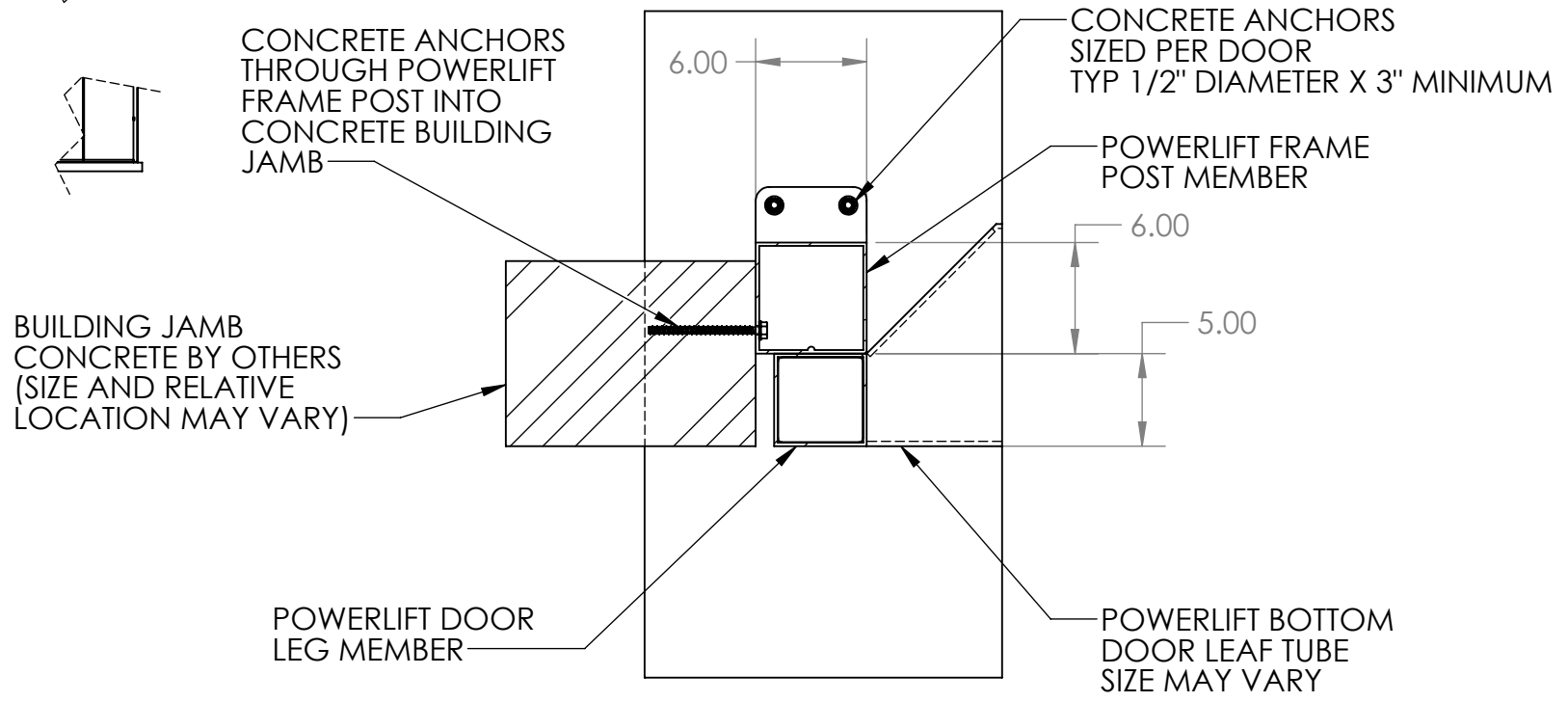
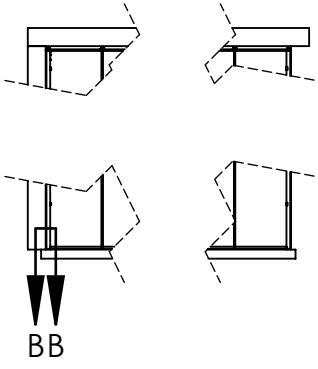
A

Monday, August 23, 2021 11:54:10 AM

POWERLIFT LARGE FRAME HIDDEN CYLINDER JAMB DETAIL (CONCRETE BUILDING JAMB MEMBER)

B

B



SECTION B-B
SCALE 1 : 10

PROPRIETARY AND CONFIDENTIAL

THE INFORMATION CONTAINED IN THIS DRAWING IS THE SOLE PROPERTY OF POWERLIFT DOORS. ANY REPRODUCTION IN PART OR AS A WHOLE WITHOUT THE WRITTEN PERMISSION OF POWERLIFT DOORS IS PROHIBITED.



		UNLESS OTHERWISE SPECIFIED:		NAME	DATE
		DIMENSIONS ARE IN INCHES	DRAWN		
		TOLERANCES:	CHECKED		
		FRACTIONAL ±	ENG APPR.		
		ANGULAR: MACH ± BEND ±	MFG APPR.		
		TWO PLACE DECIMAL ±	Q.A.		
		THREE PLACE DECIMAL ±	COMMENTS:		
		INTERPRET GEOMETRIC TOLERANCING PER: ASME Y14. 5-2009			
		MATERIAL			
		FINISH			
NEXT ASSY	USED ON				
APPLICATION		DO NOT SCALE DRAWING			

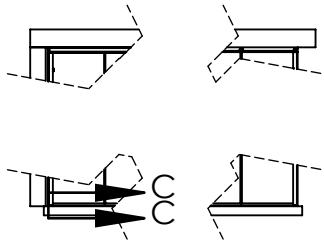
Part Number	N/A	
TITLE:	Concrete Jamb and Header	
SIZE	Door Type(s)	REV
A	Large Frame Hidden Cylinder	A
SCALE: 1:25	WEIGHT:	SHEET 2 OF 3

A

A

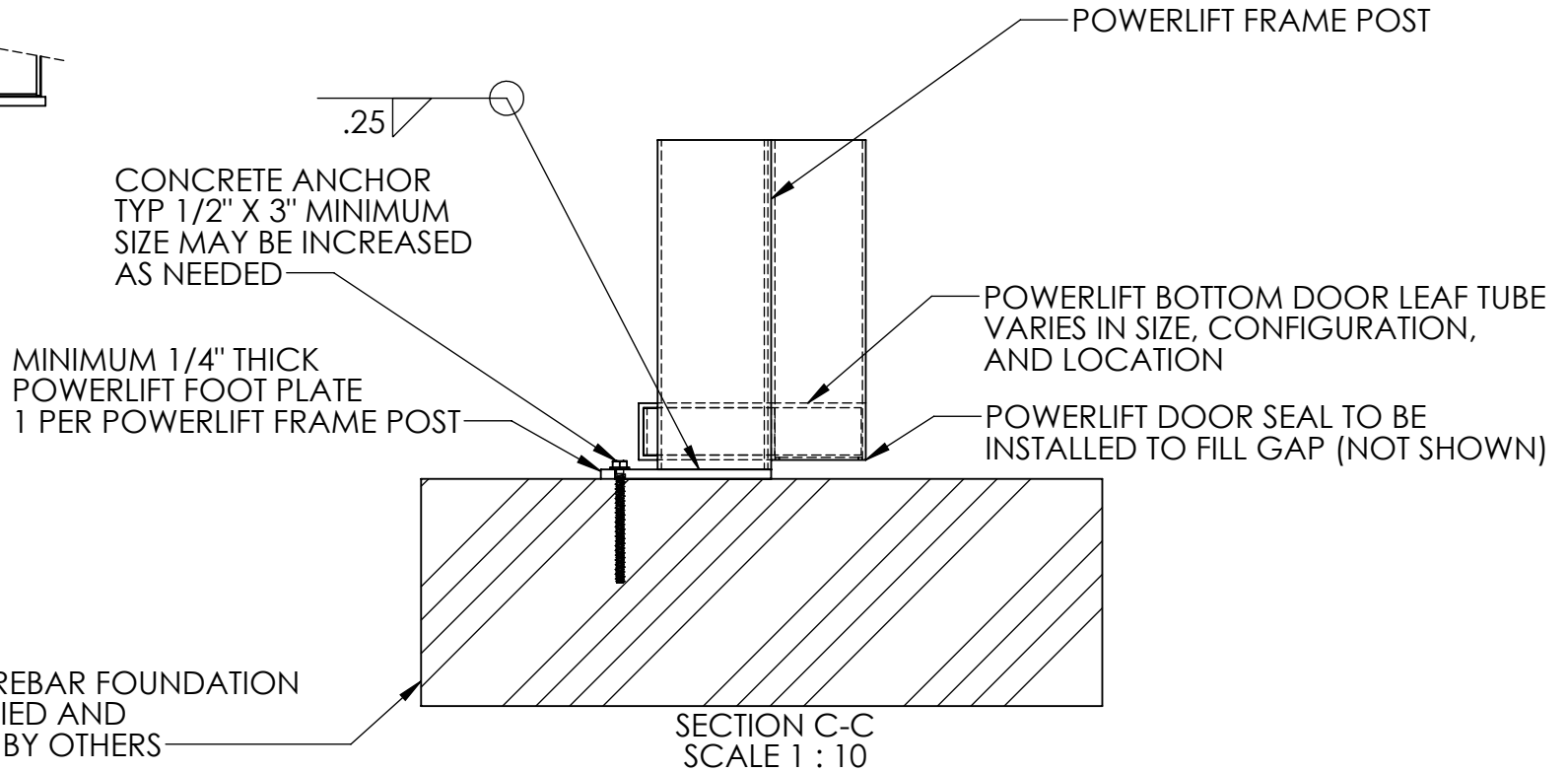
Monday, August 23, 2021 11:54:10 AM

POWERLIFT LARGE FRAME HIDDEN CYLINDER SILL DETAIL



B

B



CONCRETE/REBAR FOUNDATION TO BE SPECIFIED AND COMPLETED BY OTHERS

SECTION C-C
SCALE 1 : 10

PROPRIETARY AND CONFIDENTIAL

THE INFORMATION CONTAINED IN THIS DRAWING IS THE SOLE PROPERTY OF POWERLIFT DOORS. ANY REPRODUCTION IN PART OR AS A WHOLE WITHOUT THE WRITTEN PERMISSION OF POWERLIFT DOORS IS PROHIBITED.



		UNLESS OTHERWISE SPECIFIED:		NAME	DATE
		DIMENSIONS ARE IN INCHES	DRAWN		
		TOLERANCES:	CHECKED		
		FRACTIONAL ±	ENG APPR.		
		ANGULAR: MACH ± BEND ±	MFG APPR.		
		TWO PLACE DECIMAL ±	Q.A.		
		THREE PLACE DECIMAL ±	COMMENTS:		
		INTERPRET GEOMETRIC TOLERANCING PER: ASME Y14. 5-2009			
		MATERIAL			
		FINISH			
NEXT ASSY	USED ON				
APPLICATION		DO NOT SCALE DRAWING			

Part Number	N/A	
TITLE:	Concrete Jamb and Header	
SIZE	Door Type(s)	REV
A	Large Frame Hidden Cylinder	A
SCALE: 1:25	WEIGHT:	SHEET 3 OF 3

A

A