

# 60 X 20 Door Reactions by Type

## Design Parameters

Door Size: 60 feet x 20 feet  
 Door Area: 1200 sq. ft.  
 Wind Load: 20 psf (assumed)  
 Total Wind Force: 24000 lbs.  
 Dead Load: 5 psf (assumed)  
 Total Weight: 6000 lbs.

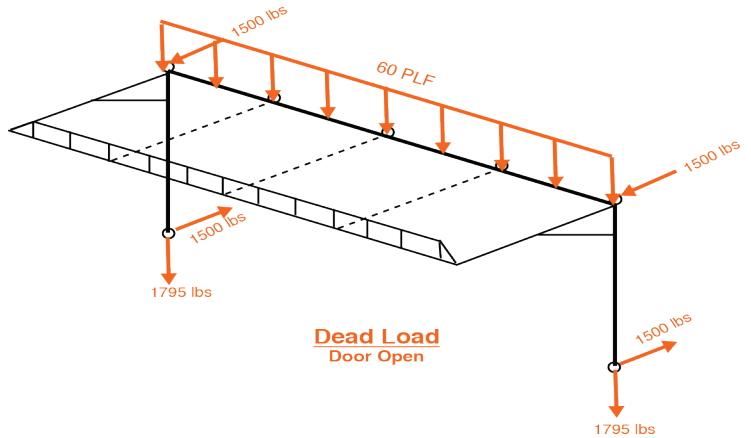
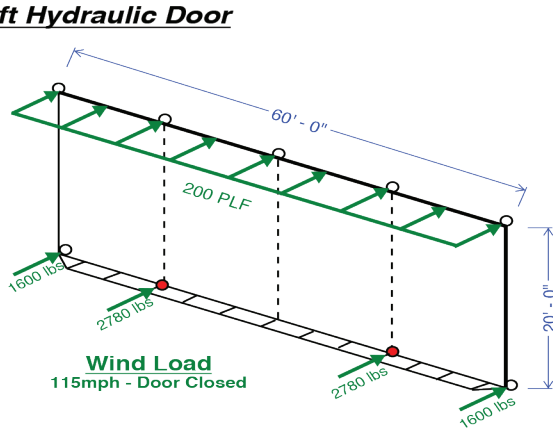
*Wind load and Dead load are assumed for the purpose of comparing door styles with similar loading and do not represent loads for a specific site design.*

## Legend:

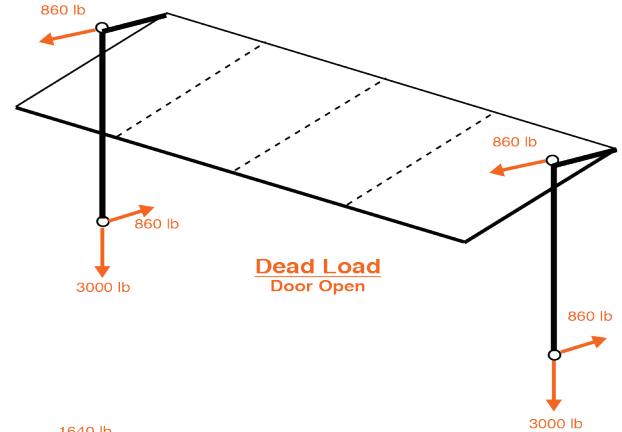
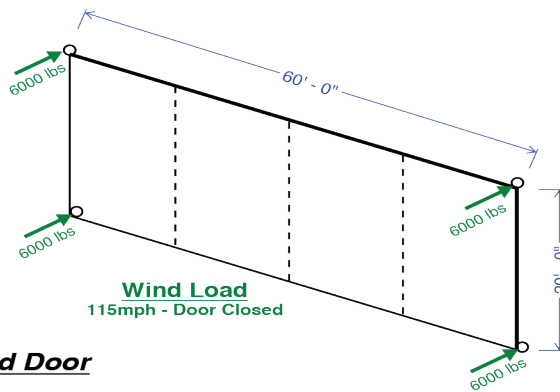
- Attachment point to building
- Hurricane pin
- Wind Load Reaction
- Dead Load Reaction

Note: PowerLift Doors is the only option that comes standard with a header engineered to distribute the windload and dead load evenly across the entire door opening, instead of creating substantial point loads which your building must absorb.

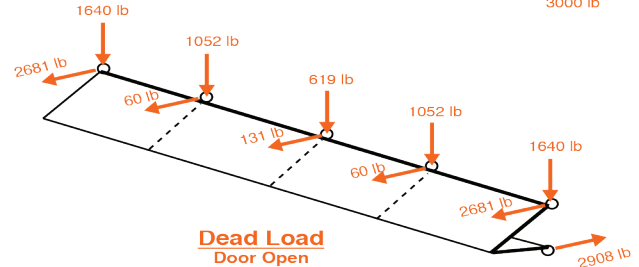
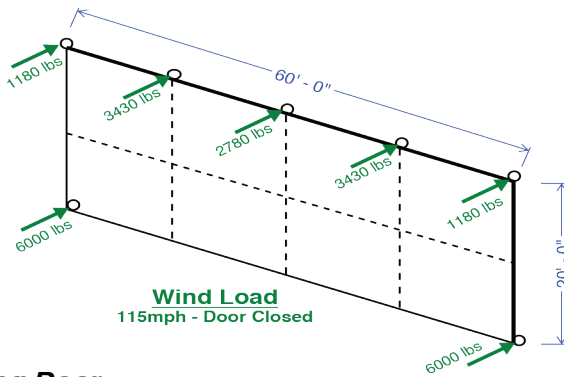
### Powerlift Hydraulic Door



### Tilt-up Door



### Bi-Fold Door



### Sliding Door

